

WORTEX



SBI

Vertical multistage stainless steel pumps

50 Hz

Contents

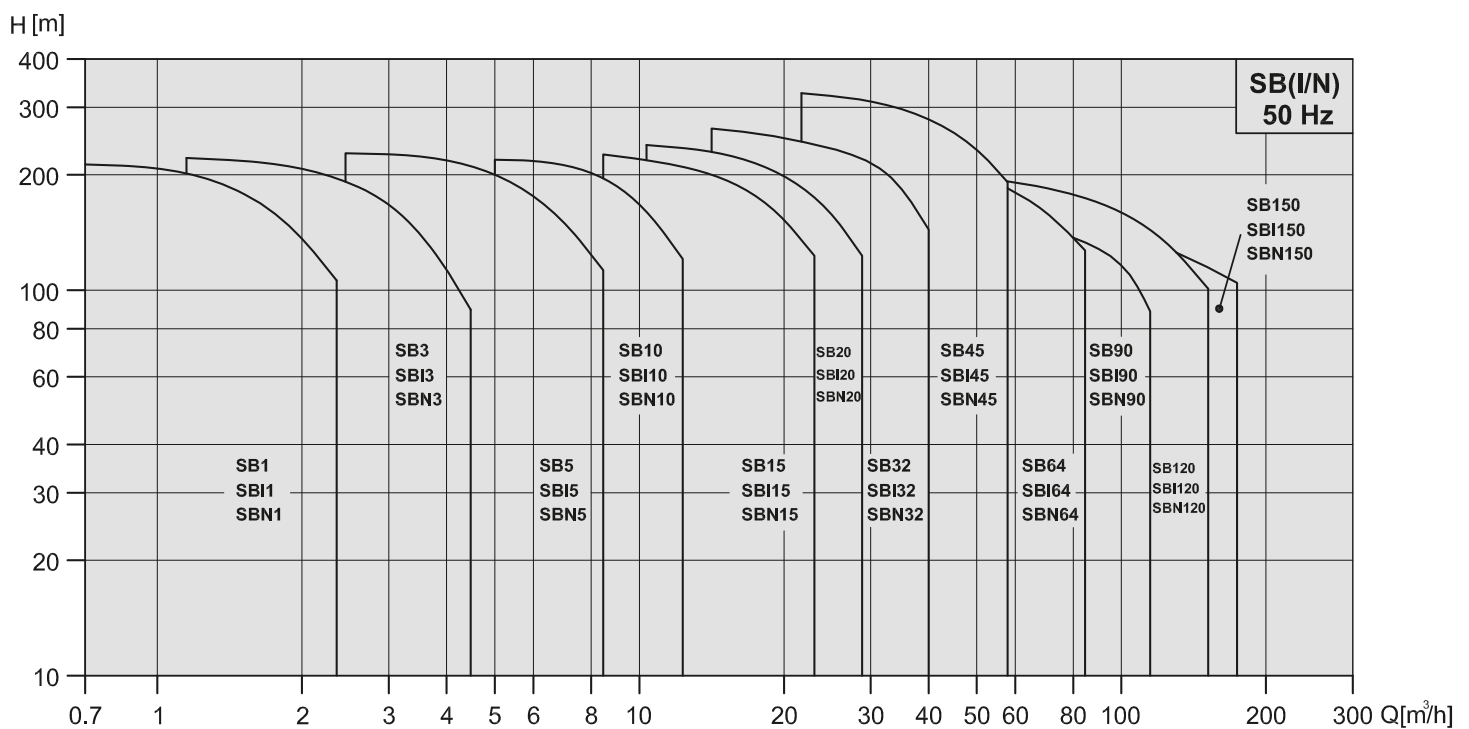
| page | General data |
|-------------|---|
| 2 | SB, SBI, SBN Performance range at 50Hz |
| 3 | Product data |
| 4 | Product data |
| 5 | Pump, Application |
| 6 | Identification Code, Motor |
| 7 | Motor data, Mechanical Seal |
| 8 | Maximum operating pressure and inlet pressure |
| 9 | Construction |
| 10 | Construction |
| 11 | Construction |

| page | Performance curves / Technical data |
|-------------|--|
| 12 | SB, SBI, SBN 1 |
| 15 | SB, SBI, SBN 3 |
| 18 | SB, SBI, SBN 5 |
| 21 | SB, SBI, SBN 10 |
| 24 | SB, SBI, SBN 15 |
| 27 | SB, SBI, SBN 20 |
| 30 | SB, SBI, SBN 32 |
| 33 | SB, SBI, SBN 45 |
| 36 | SB, SBI, SBN 64 |
| 39 | SB, SBI, SBN 90 |
| 42 | SB, SBI, SBN 120 |
| 45 | SB, SBI, SBN 150 |
| 48 | Pumped Liquids |

Contents

Vertical Multistage Centrifugal In-line Pumps

SB, SBI, SBN Series Performance range 50 Hz



Contents

Vertical Multistage Centrifugal In-line Pumps

Product data

| Range | SB, SBI, SBN | | | | | |
|---|---|--|--|--------------|--------------|--------------|
| | 1 | 3 | 5 | 10 | 15 | 20 |
| 50Hz | | | | | | |
| Nominal flow [m ³ /h] | 1 | 3 | 5 | 10 | 15 | 20 |
| Flow range [m ³ /h] | 0.7-2.4 | 1.2-4.5 | 2.5-8.5 | 5-13 | 8.5-23.5 | 10.5-29 |
| Max. pressure [bar] | 21.5 | 23 | 24 | 21.5 | 23 | 24.3 |
| Fluid temperature [°C] | -15 to +120 | | | | | |
| Motor power [kW] | 0.37-2.2 | 0.37-3 | 0.37-5.5 | 0.37-7.5 | 1.1-15 | 1.1-18.5 |
| Version | | | | | | |
| SB: Cast iron and stainless steel EN 1.4301/AISI 304 | • | • | • | • | • | • |
| SBI: Stainless steel EN 1.4301/AISI 304 | • | • | • | • | • | • |
| SBN: Stainless steel EN 1.4401/AISI 316 | • | • | • | • | • | • |
| Motor | | | | | | |
| Mains connection 1~ [V/Hz] (Permissible voltage tolerance ± 10%) | 220-240 V 50 Hz | | | | | |
| Mains connection 3~ [V/Hz] (Permissible voltage tolerance ± 10%) | 0.37-7.5 kW 220-240/380-415 V 50 Hz From 11 kW 380-415 V 50 Hz | | | | | |
| Insulation class | F | | | | | |
| Enclosure class | IP 55 | | | | | |
| Ambient temperature | 50° C | | | | | |
| SB Pipe Connection | | | | | | |
| Flange | DN 25/ DN 32 | DN 25/ DN 32 | DN 25/ DN 32 | DN 40 | DN 50 | DN 50 |
| SBI, SBN Pipe Connection | | | | | | |
| Flange | DN 25/ DN 32 | DN 25/ DN 32 | DN 25/ DN 32 | DN 40 | DN 50 | DN 50 |
| Victaulic-connections | R 1 ¹ / ₄ DN32 | R 1 ¹ / ₄ DN 32 | R 1 ¹ / ₄ DN 32 | R 2 DN 50 | R 2 DN 50 | R 2 DN 50 |
| Mechanical Seals | | | | | | |
| SiC/SiC | Standard | | | | | |
| Seals | | | | | | |
| EPDM | Standard | | | | | |
| Viton | | | | | | |

* Flange standards : Refer to dimensional drawings

Contents

Vertical Multistage Centrifugal In-line Pumps

Product data

| Range | SB, SBI, SBN | | | | | |
|---|---|-------|-------|--------|-------------|--------|
| | 32 | 45 | 64 | 90 | 120 | 150 |
| 50Hz | | | | | | |
| Nominal flow [m ³ /h] | 32 | 45 | 64 | 90 | 120 | 150 |
| Flow range [m ³ /h] | 15-40 | 22-58 | 30-85 | 45-120 | 60-160 | 75-180 |
| Max. pressure [bar] | 27.5 | 33 | 21.8 | 20 | 20.4 | 18.7 |
| Fluid temperature [°C] | -15 to +120 | | | | | |
| Motor power [kW] | 1.5-30 | 3-45 | 4-45 | 5.5-45 | 11-75 | 11-75 |
| Version | | | | | | |
| SB: Cast iron and stainless steel EN 1.4301/AISI 304 | • | • | • | • | • | • |
| SBI: Stainless steel EN 1.4301/AISI 304 | • | • | • | • | • | • |
| SBN: Stainless steel EN 1.4401/AISI 316 | • | • | • | • | • | • |
| Motor | | | | | | |
| Mains connection 1~ [V/Hz] (Permissible voltage tolerance ± 10%) | 220-240 V 50 Hz | | | | | |
| Mains connection 3~ [V/Hz] (Permissible voltage tolerance ± 10%) | 0.37-7.5 kW 220-240/380-415 V 50 Hz From 11 kW 380-415 V 50 Hz | | | | | |
| Insulation class | F | | | | | |
| Enclosure class | IP 55 | | | | | |
| Ambient temperature | 50 °C | | | | | |
| SB Pipe Connection | | | | | | |
| Flange | DN 65 | DN 80 | DN100 | DN100 | DN125 | DN125 |
| SBI, SBN Pipe Connection | | | | | | |
| Flange | DN 65 | DN 80 | DN100 | DN100 | DN125 | DN125 |
| Victaulic-connections | N/A | N/A | N/A | N/A | N/A | N/A |
| Mechanical Seals | | | | | | |
| SiC/SiC | Standard | | | | | |
| Seals | | | | | | |
| EPDM | Standard | | | | 0.37kW-45kW | |
| Viton | | | | | 55kW-75kW | |

* Flange standards : Refer to dimensional drawings

Contents

Vertical Multistage Centrifugal In-line Pumps

Pump



The SB, SBI and SBN pumps are non-self priming vertical multistage pump of in-line design, flange or with Victaulic coupling with equally sized suction and discharge ports. Stage construction with stainless steel impellers, chambers and pressure casing. Pump stub shaft and motor shaft of the IEC-standards motor are directly close coupled. All pumps are equipped with a cartridge type mechanical seal for easy maintenance.

SB, SBI and SBN pumps have different pump sizes and various numbers of stages to provide the flow and the pressure required.

Applications

WATER SUPPLY AND PRESSURE BOOSTING

Pressure boosting in buildings, hotels, residential complexes
Pressure booster stations, supply of water networks
Pressure boosting for industrial water supply

IRRIGATION AND AGRICULTURE

Greenhouses
Sprinkler irrigation
Field irrigation (flooding)

LIGHT INDUSTRY

Washing and cleaning systems
Car washing facilities
Fire fighting systems
Process water systems
Machine tools (cooling lubricants)

WATER TREATMENT

Water softeners and de-mineralization
Reverse Osmosis systems
Distillation systems
Filtration
Ultra-filtration systems

HEATING, VENTILATION AND AIR-CONDITIONING

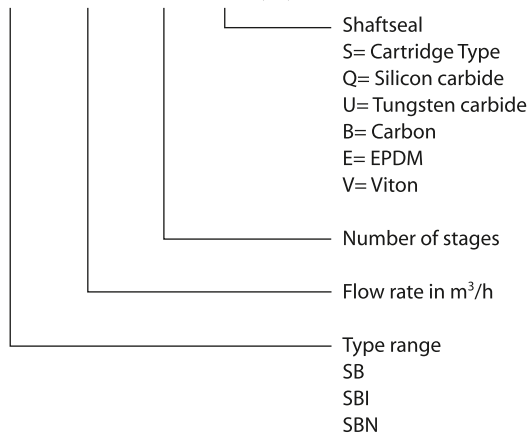
Boilers
Induction heating
Heat exchangers
Refrigerators
Cooling towers and systems
Temperature control systems

Contents

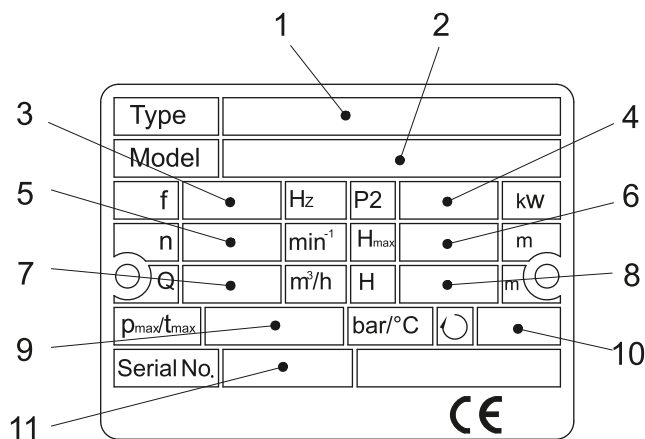
Vertical Multistage Centrifugal In-line Pumps

Identification Code

SB - 10 - 5 - S Q Q E



Pump nameplate information



1. Pump Type - Seal Type
2. Pump Model
3. Frequency
4. Rated Power
5. Speed
6. Maximum Head
7. Capacity
8. Head Range
9. Maximum Operating Pressure
10. Rotating Direction
11. Serial number

Motor

- Squirrel cage in short circuit, aluminum casing up to 22 kW, totally enclosed, fan-cooled, 2-pole standard motor.
- Standard supply motors up to 1.1 kW. Other motor brands for higher powers.
- Electrical data
 - ⊙ Enclosure class: IP55
 - ⊙ Insulation class: F
 - ⊙ Standard voltages: P2: 0.37-7.5 KW: 3 x 220-240/380-415 V
 - P2: From 11 KW 3 x 380-415 V
- The motors have efficiency values that fall within the range normally referred to as high efficiency.
- Ambient temperature: Max. +50°C

Contents

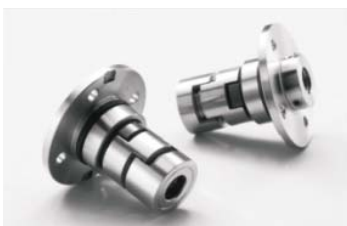
Vertical Multistage Centrifugal In-line Pumps

Motor Data

| Motor Type | | | | Nominal current in [A] | | | | | | |
|------------|------|------|--------|------------------------|---------|---------|---------|---------|---------|---------|
| HP | kW | Pole | Flange | Frame | 3~220 V | 3~240 V | 3~380 V | 3~415 V | | |
| 0.5 | 0.37 | 2 | B14 | 71A | 1.8 | 1.9 | 1.0 | 1.1 | | |
| 0.75 | 0.55 | | | 71B | 2.6 | 2.7 | 1.5 | 1.6 | | |
| 1.0 | 0.75 | | | 80A | 3.4 | 3.6 | 2.0 | 2.1 | | |
| 1.5 | 1.1 | | | 80B | 5.1 | 5.2 | 2.9 | 3.0 | | |
| 2.0 | 1.5 | | | 90S | 6.0 | 6.2 | 3.5 | 3.6 | | |
| 3.0 | 2.2 | | | 90L | 9.5 | 10.0 | 5.5 | 5.8 | | |
| 4.0 | 3.0 | | | 100L | 12.1 | 12.5 | 7.0 | 7.2 | | |
| 5.5 | 4.0 | | | 112M | 14.9 | 15.0 | 8.6 | 8.7 | | |
| | | | | | | | | | | |
| 7.5 | 5.5 | | | B5 | | | 3~380V | 3~415V | 3~660V | 3~690V |
| 10 | 7.5 | | 132S | | 12.1 | 12.0 | 7.0 | 6.9 | | |
| | | | 132S | | 16.0 | 15.3 | 9.2 | 8.8 | | |
| | | | | | | | | | 3~380 V | 3~415 V |
| 15 | 11 | | 160M | | | | 21.0 | 19.2 | | |
| 20 | 15 | | 160M | | | | 28.4 | 26.0 | | |
| 25 | 18.5 | | 160L | | | | 34.7 | 31.8 | | |
| 30 | 22 | | 180M | | | | 41.1 | 37.7 | | |
| 40 | 30 | | 200L | | | | 55.7 | 51.0 | | |
| 50 | 37 | | 200L | | | | 68.3 | 62.5 | | |
| 60 | 45 | 225M | | | 87.2 | 78.6 | | | | |
| 75 | 55 | 250M | | | 101.0 | 92.5 | | | | |
| 100 | 75 | 280S | | | 134.0 | 123.0 | | | | |

Mechanical Seal

Standard Cartridge type mechanical seal made of Silicon Carbide/Silicon Carbide/EPDM or Viton. Based on the type of application, alternative materials are available for the seal and the elastomers. The cartridge type mechanical seal can be replaced in minutes without special tools and without dismantling the pump.



List of Materials

| | |
|----------------------|-----------|
| Q : Silicon carbide | E : EPDM |
| U : Tungsten carbide | V : Viton |
| B : Carbon | |

Type of Seal

| Seal Type | SB/SBI/SBN | | |
|--|--------------------------------|----------|----------|
| | 1/3/5/10/15/20 /32/45/64/90 | 120/150 | |
| | | 0.5-60HP | 75-100HP |
| Mechanical Seals | | | |
| S: O-ring seal Cartridge type | ● | ● | |
| B: Rubber bellows seal Cartridge type | | | ● |
| QQ | ● | ● | ● |
| UU | Optional | Optional | |
| QB | Optional | Optional | |
| UB | Optional | Optional | |
| Seals | | | |
| E | ● | ● | |
| V | ● | ● | ● |

Contents

Vertical Multistage Centrifugal In-line Pumps

Maximum operating and inlet pressures

50Hz

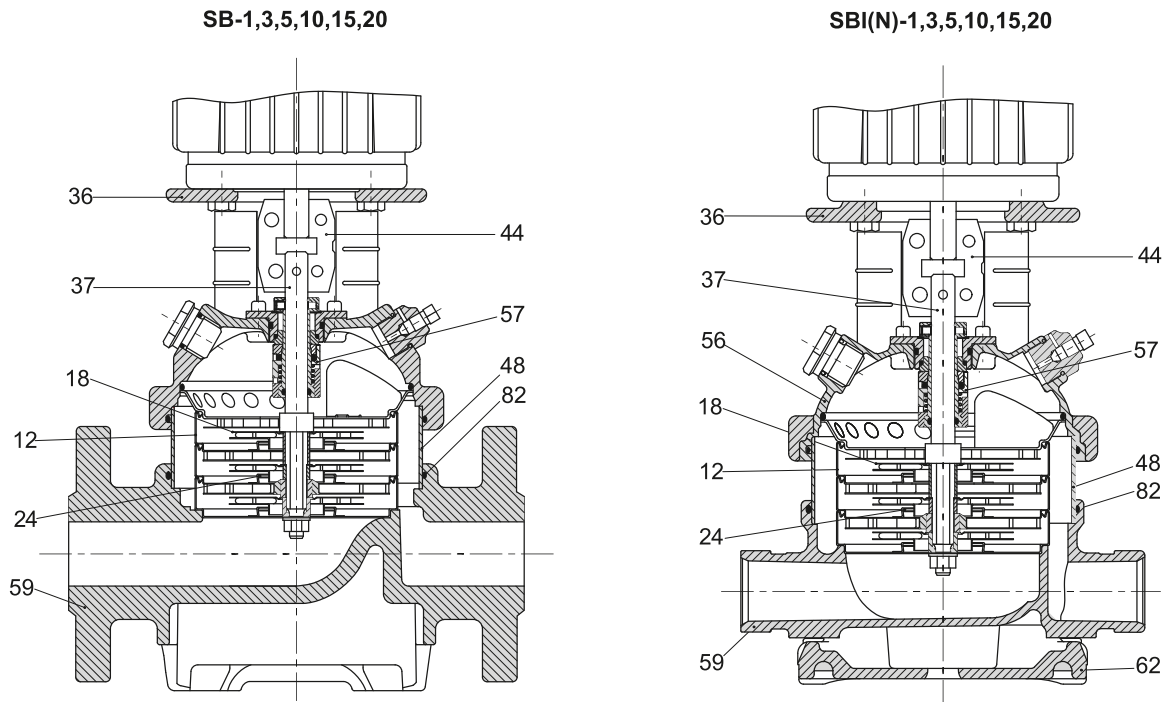
| Stages | Maximum Operating Pressure | Stages | Maximum Inlet Pressures |
|-------------------------|----------------------------|---------------|-------------------------|
| SB, SBI, SBN 1 | | | |
| 2-36 | 25bar | 2-36 | 10bar |
| SB, SBI, SBN 3 | | | |
| 2-36 | 25bar | 2-29 | 10bar |
| | | 31-36 | 15bar |
| SB, SBI, SBN 5 | | | |
| 2-36 | 25bar | 2-16 | 10bar |
| | | 18-36 | 15bar |
| SB, SBI, SBN 10 | | | |
| 1-16 | 16bar | 1-6 | 8bar |
| 17-22 | 25bar | 7-22 | 10bar |
| SB, SBI, SBN 15 | | | |
| 1-10 | 16bar | 1-3 | 8bar |
| 12-17 | 25bar | 4-17 | 10bar |
| SB, SBI, SBN 20 | | | |
| 1-10 | 16bar | 1-3 | 8bar |
| 12-17 | 25bar | 4-17 | 10bar |
| SB, SBI, SBN 32 | | | |
| (1-1)-7 | 16bar | (1-1)-4 | 4bar |
| (8-2)-14 | 30bar | (5-2)-10 | 10bar |
| | | (11-2)-14 | 15bar |
| SB, SBI, SBN 45 | | | |
| (1-1)-5 | 16bar | (1-1)-2 | 4bar |
| (6-2)-11 | 30bar | (3-2)-5 | 10bar |
| (12-2)-(13-2) | 33bar | (6-2)-(13-2) | 15bar |
| SB, SBI, SBN 64 | | | |
| (1-1)-5 | 16bar | (1-1)-(2-2) | 4bar |
| (6-2)-(8-1) | 30bar | (2-1)-(4-2) | 10bar |
| | | (4-1)-(8-1) | 15bar |
| SB, SBI, SBN 90 | | | |
| (1-1) - 4 | 16bar | (1-1) - 1 | 4bar |
| (5-2) - 6 | 30bar | (2-1) - (3-2) | 10bar |
| | | 3 - 6 | 15bar |
| SB, SBI, SBN 120 | | | |
| 1-7 | 30bar | 1-(2-1) | 10bar |
| | | 2-(5-1) | 15bar |
| | | (6-1)-7 | 20bar |
| SB, SBI, SBN 150 | | | |
| (1-1)-6 | 30bar | (1-1)-1 | 10bar |
| | | (2-1)-(4-2) | 15bar |
| | | (5-2)-6 | 20bar |

* Rule to follow : The inlet pressure+ the pressure against a closed valve < Max. Operating pressure.

Contents

Vertical Multistage Centrifugal In-line Pumps

Construction



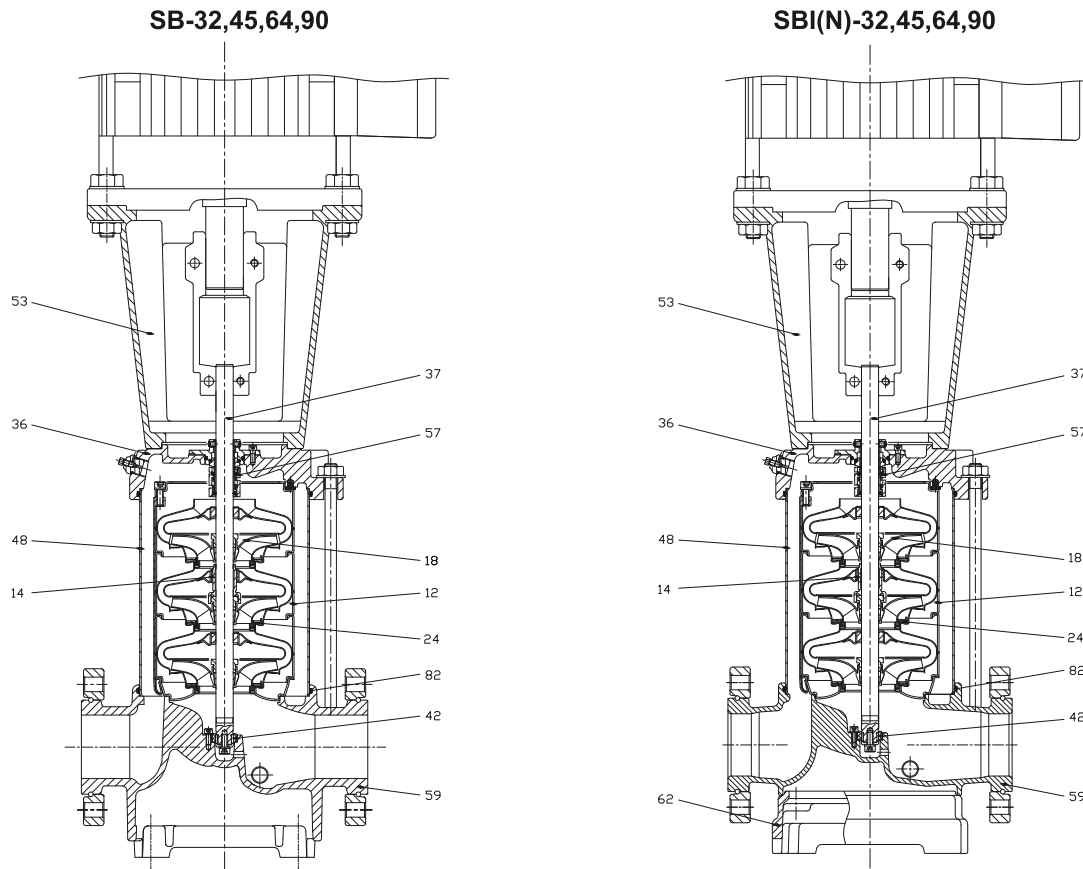
CONSTRUCTION

| Pos. | Name | Material | SB 1,3,5,10,15,20 | | SBI 1,3,5,10,15,20 | | SBN 1,3,5,10,15,20 | |
|------|-------------------------|-----------------|-------------------|-------------|--------------------|---------------|--------------------|---------------|
| | | | Standard | | Standard | | Standard | |
| | | | Europe | USA | Europe | USA | Europe | USA |
| 36 | Pump head | Cast Iron | EN-GJL-200 | ASTM 25B | EN-GJS-450-10 | ASTM 65-45-12 | EN-GJS-450-10 | ASTM 65-45-12 |
| 56 | Pump head cover | Stainless steel | N/A | | 1.4301 | AISI 304 | 1.4401 | AISI 316 |
| 18 | Impeller | Stainless steel | 1.4301 | AISI 304 | 1.4301 | AISI 304 | 1.4401 | AISI 316 |
| 37 | Shaft | Stainless steel | 1.4057 | AISI 431 | 1.4057 | AISI 431 | 1.4401 | AISI 316 |
| 48 | Outer Sleeve | Stainless steel | 1.4301 | AISI 304 | 1.4301 | AISI 304 | 1.4401 | AISI 316 |
| 82 | O-ring for outer sleeve | EPDM | | | | | | |
| 12 | Chamber | Stainless steel | 1.4301 | AISI 304 | 1.4301 | AISI 304 | 1.4401 | AISI 316 |
| 24 | Neck ring | PTFE | | | | | | |
| 59 | Base | Cast Iron | EN-GJL-200 | ASTM 25B | N/A | | | |
| | Base | Stainless steel | N/A | | 1.4301 | AISI 304 | 1.4401 | AISI 316 |
| 62 | Base plate | Cast Iron | N/A | | EN-GJL-200 | ASTM 25B | EN-GJL-200 | ASTM 25B |
| 44 | Coupling | Fe-Cu-C | SINT C11 | MPIF FC0525 | SINT C11 | MPIF FC0525 | SINT C11 | MPIF FC0525 |
| 57 | Mechanical seal | Cartridge type | | | | | | |

Contents

Vertical Multistage Centrifugal In-line Pumps

Construction



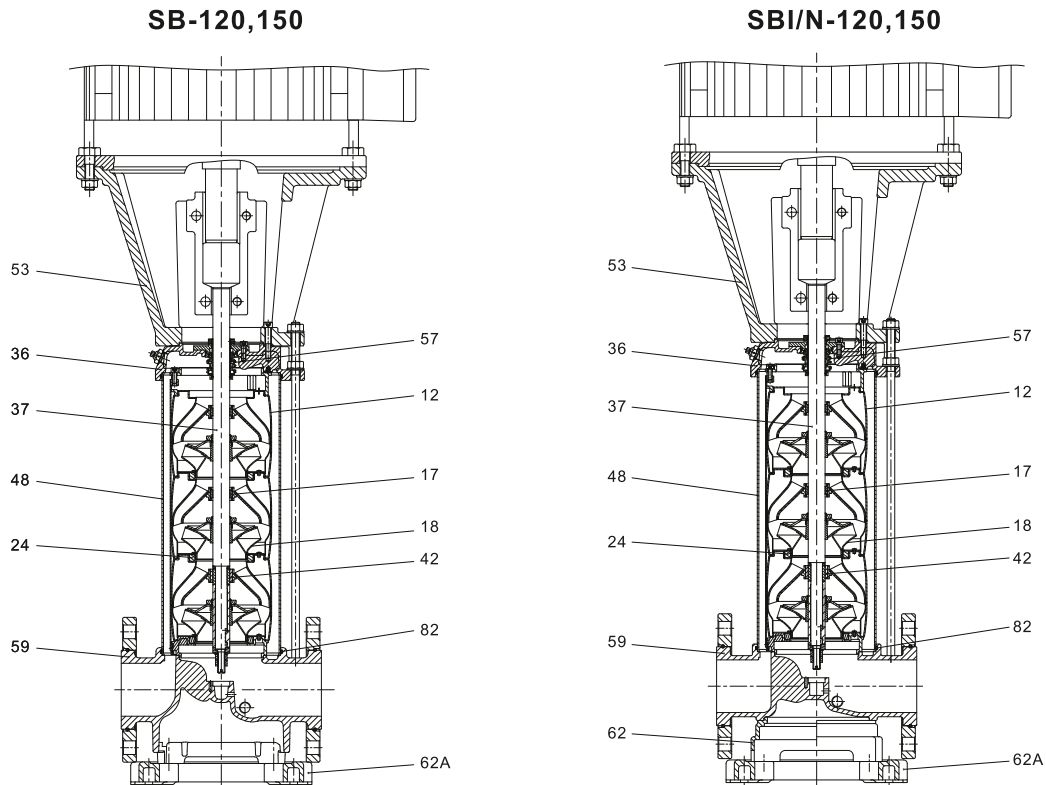
CONSTRUCTION

| Pos. | Name | Material | SB 32, 45, 64, 90 | | SBI 32, 45, 64, 90 | | SBN 32, 45, 64, 90 | |
|------|-------------------------|---------------------------------------|-------------------|----------|--------------------|----------|--------------------|----------|
| | | | Standard | | Standard | | Standard | |
| | | | Europe | USA | Europe | USA | Europe | USA |
| 36 | Pump head | Cast Iron | EN-GJL-250 | ASTM 35B | | | | |
| | | Stainless steel | | | 1.4301 | AISI 304 | 1.4401 | AISI 316 |
| 53 | Motor Bracket | Cast Iron | EN-GJL-250 | ASTM 35B | EN-GJL-250 | ASTM 35B | EN-GJL-250 | ASTM 35B |
| 18 | Impeller | Stainless steel | 1.4301 | AISI 304 | 1.4301 | AISI 304 | 1.4401 | AISI 316 |
| 37 | Shaft | Stainless steel | 1.4057 | AISI 431 | 1.4057 | AISI 431 | 1.4401 | AISI 316 |
| 48 | Outer Sleeve | Stainless steel | 1.4301 | AISI 304 | 1.4301 | AISI 304 | 1.4401 | AISI 316 |
| 82 | O-ring for outer sleeve | EPDM | | | | | | |
| 12 | Chamber | Stainless steel | 1.4301 | AISI 304 | 1.4301 | AISI 304 | 1.4401 | AISI 316 |
| 24 | Neck ring | Carbon Fiber + POB + PTFE | | | | | | |
| 59 | Base | Cast Iron | EN-GJL-250 | ASTM 35B | N/A | | | |
| | Base | Stainless steel | N/A | | 1.4301 | AISI 304 | 1.4401 | AISI 316 |
| 62 | Base plate | Cast Iron | N/A | | EN-GJL-250 | ASTM 35B | EN-GJL-250 | ASTM 35B |
| 57 | Mechanical seal | Cartridge type | | | | | | |
| 14 | Bearing ring | | Bronze | | | | POB+Graphite+PTFE | |
| 42 | Bottom bearing ring | Tungsten carbide/ Tungsten carbide | | | | | | |

Contents

Vertical Multistage Centrifugal In-line Pumps

Construction



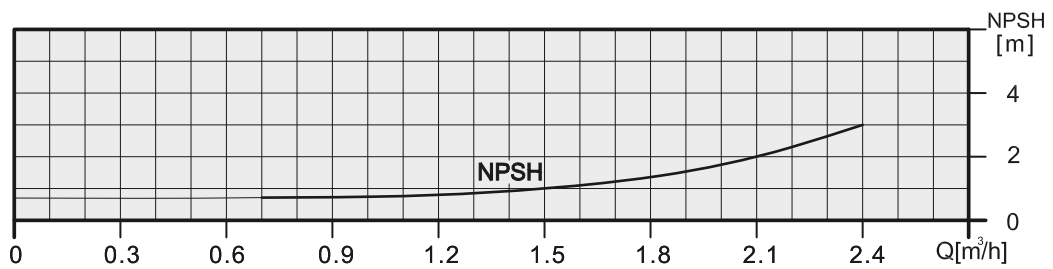
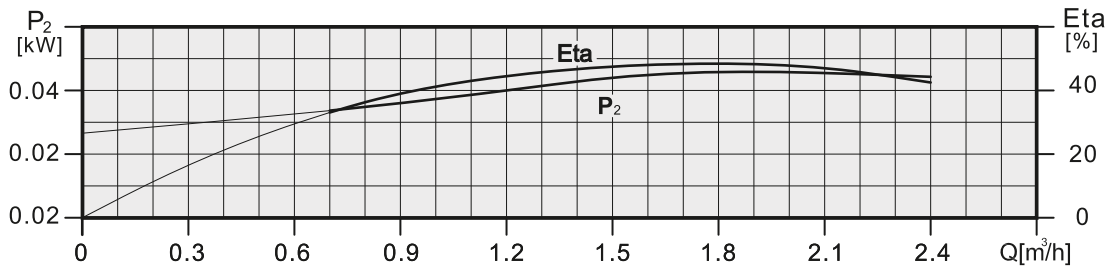
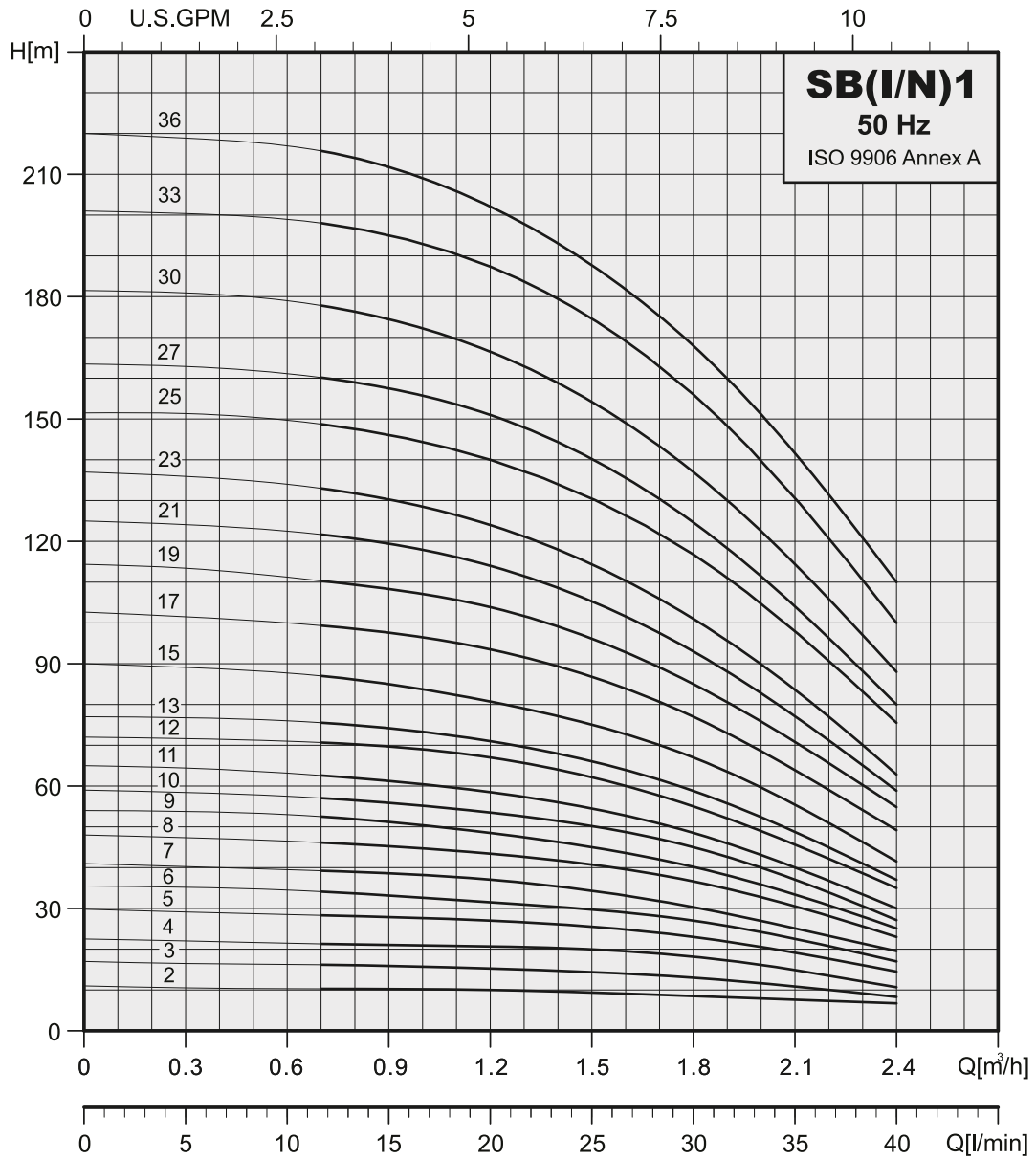
CONSTRUCTION

| Pos. | Name | Material | SB 120, 150 | | SBI 120, 150 | | SBN 120, 150 | |
|------|----------------------------|-----------------|---------------|---------------|---------------|---------------|---------------|---------------|
| | | | Standard | | Standard | | Standard | |
| | | | Europe | USA | Europe | USA | Europe | USA |
| 36 | Pump head | Cast Iron | EN-GJL-250 | ASTM 35B | N/A | | | |
| | | Stainless steel | N/A | | 1.4301 | AISI 304 | 1.4401 | AISI 316 |
| 53 | Motor bracket (15HP~60HP) | Cast Iron | EN-GJL-250 | ASTM 35B | EN-GJL-250 | ASTM 35B | EN-GJL-250 | ASTM 35B |
| | Motor bracket (75HP~100HP) | Cast Iron | EN-GJS-450-10 | ASTM 65-45-12 | EN-GJS-450-10 | ASTM 65-45-12 | EN-GJS-450-10 | ASTM 65-45-12 |
| 17 | bearing ring | PTFE | | | | | | |
| 18 | Impeller | Stainless steel | 1.4301 | AISI 304 | 1.4301 | AISI 304 | 1.4401 | AISI 316 |
| 37 | Shaft | Stainless steel | 1.4057 | AISI 431 | 1.4057 | AISI 431 | 1.4401 | AISI 316 |
| 48 | Outer sleeve | Stainless steel | 1.4301 | AISI 304 | 1.4301 | AISI 304 | 1.4401 | AISI 316 |
| 82 | O-ring for outer sleeve | EPDM | | | | | | |
| 12 | Chamber | Stainless steel | 1.4301 | AISI 304 | 1.4301 | AISI 304 | 1.4401 | AISI 316 |
| 24 | Neck ring | PTFE | | | | | | |
| 59 | Base | Cast Iron | EN-GJL-250 | ASTM 35B | N/A | | | |
| | | Stainless steel | N/A | | 1.4301 | AISI 304 | 1.4401 | AISI 316 |
| 62 | Base plate | Cast Iron | N/A | | EN-GJS-450-10 | ASTM 65-45-12 | EN-GJS-450-10 | ASTM 65-45-12 |
| 62A | Base plate | Cast Iron | EN-GJS-450-10 | ASTM 65-45-12 | EN-GJS-450-10 | ASTM 65-45-12 | EN-GJS-450-10 | ASTM 65-45-12 |
| 57 | Mechanical seal | Cartridge type | | | | | | |
| 42 | Bottom bearing ring | SiC / SiC | | | | | | |

Contents

Vertical Multistage Centrifugal In-line Pumps

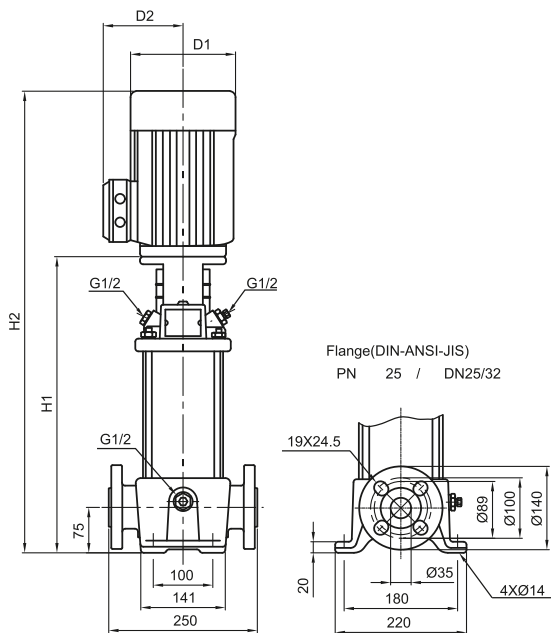
SB, SBI, SBN 1



Contents

Vertical Multistage Centrifugal In-line Pumps

Dimensions and weights – SB 1

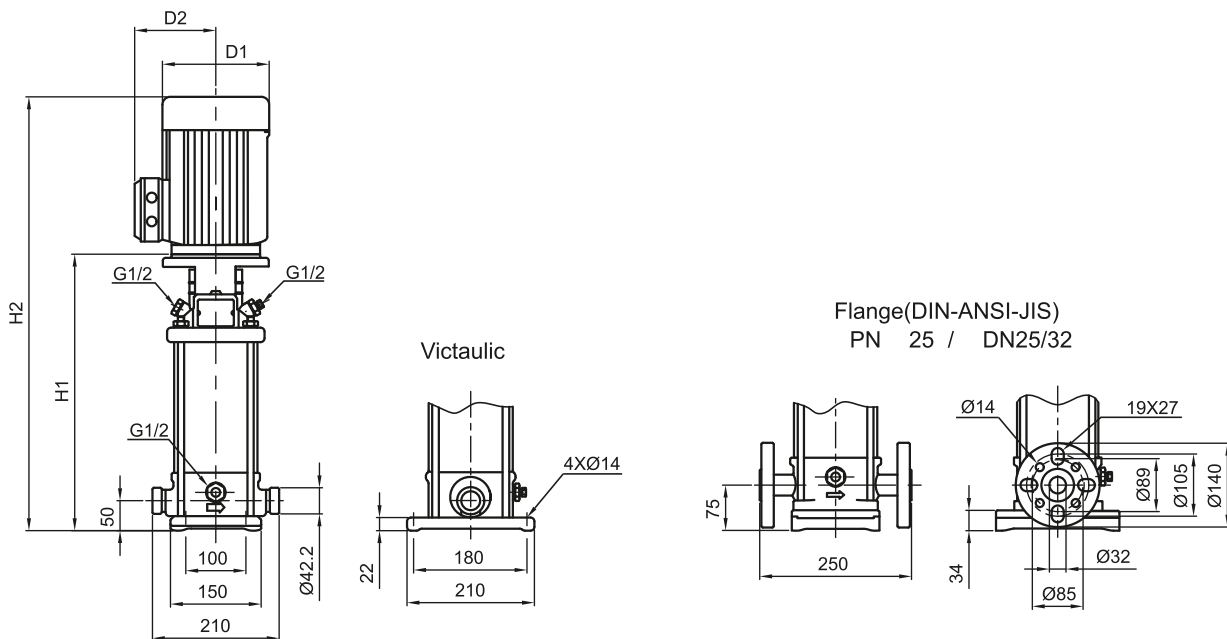


| Pump type | Motor | SB | | | | | Net weight [kg] |
|-----------|----------------|---------------|------|-----|-----|------------|-----------------|
| | | Dimension[mm] | | | | DIN flange | |
| | P ₂ | DIN flange | | D1 | D2 | | DIN flange |
| | [kW] | H1 | H2 | | | | |
| SB1-2 | 0.37 | 279 | 474 | 141 | 115 | 23.4 | |
| SB1-3 | 0.37 | 279 | 474 | 141 | 115 | 23.4 | |
| SB1-4 | 0.37 | 297 | 492 | 141 | 115 | 23.8 | |
| SB1-5 | 0.37 | 315 | 510 | 141 | 115 | 24.2 | |
| SB1-6 | 0.37 | 333 | 528 | 141 | 115 | 24.5 | |
| SB1-7 | 0.37 | 351 | 546 | 141 | 115 | 24.9 | |
| SB1-8 | 0.55 | 369 | 564 | 141 | 115 | 25.8 | |
| SB1-9 | 0.55 | 387 | 582 | 141 | 115 | 26.1 | |
| SB1-10 | 0.55 | 405 | 600 | 141 | 115 | 26.5 | |
| SB1-11 | 0.55 | 423 | 618 | 141 | 115 | 26.9 | |
| SB1-12 | 0.75 | 447 | 682 | 141 | 115 | 29.4 | |
| SB1-13 | 0.75 | 465 | 700 | 141 | 115 | 29.8 | |
| SB1-15 | 0.75 | 501 | 736 | 141 | 115 | 30.5 | |
| SB1-17 | 1.1 | 537 | 772 | 141 | 115 | 32.3 | |
| SB1-19 | 1.1 | 573 | 808 | 141 | 115 | 33.1 | |
| SB1-21 | 1.1 | 609 | 844 | 141 | 115 | 33.8 | |
| SB1-23 | 1.1 | 645 | 880 | 141 | 115 | 34.6 | |
| SB1-25 | 1.5 | 697 | 988 | 177 | 141 | 44.0 | |
| SB1-27 | 1.5 | 733 | 1024 | 177 | 141 | 44.8 | |
| SB1-30 | 1.5 | 787 | 1078 | 177 | 141 | 45.9 | |
| SB1-33 | 2.2 | 841 | 1132 | 177 | 141 | 49.9 | |
| SB1-36 | 2.2 | 895 | 1186 | 177 | 141 | 51.0 | |

Technical data

Vertical Multistage Centrifugal In-line Pumps

Dimensions and weights – SBI, SBN 1

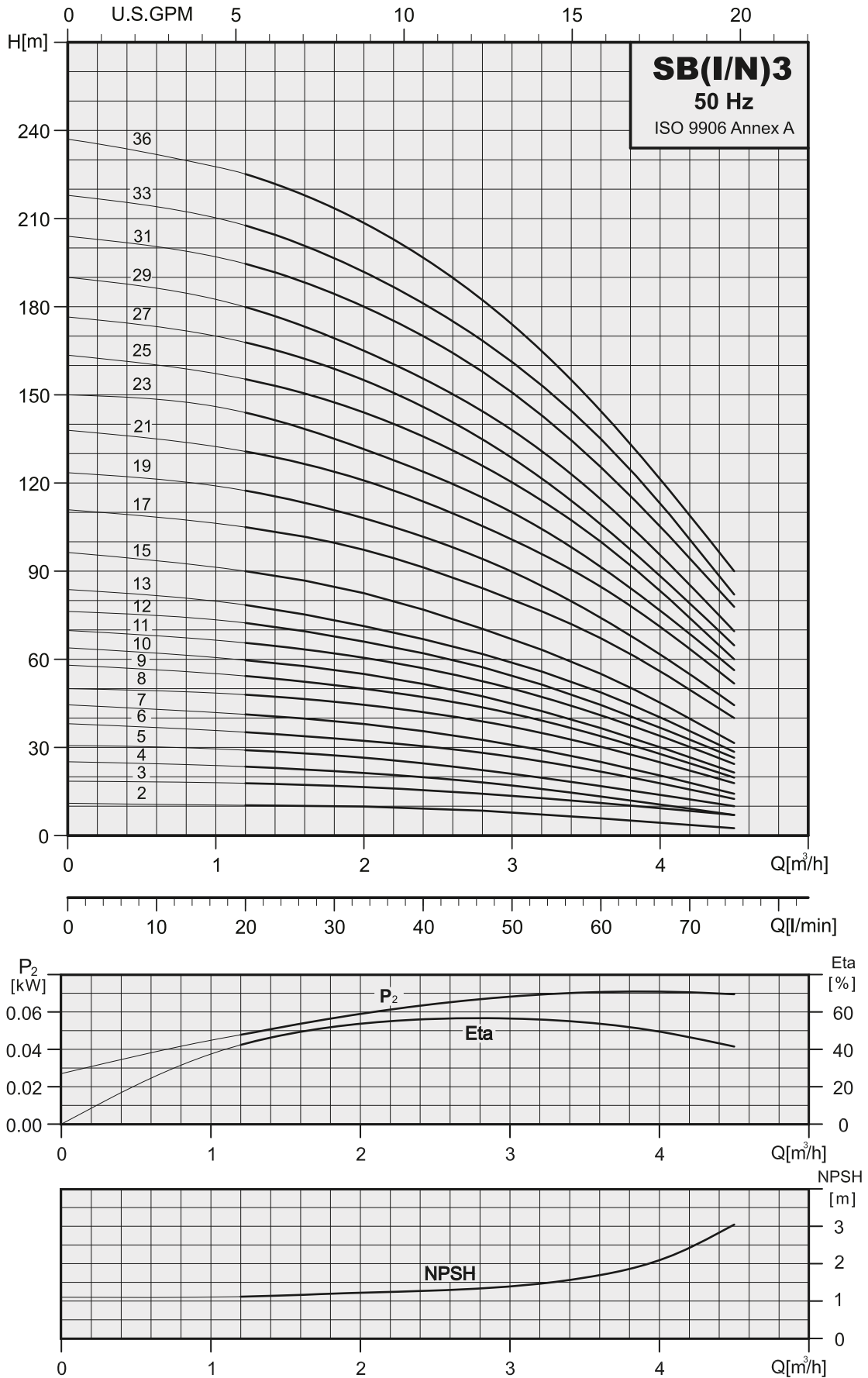


| Pump type | Motor | SBI , SBN | | | | | | | |
|-------------|------------------------|----------------|------|------------|------|-----|-----|-----------------|------------|
| | | Dimension [mm] | | | | | | Net weight [kg] | |
| | P ₂ [kW] | Victaulic | | DIN flange | | D1 | D2 | Victaulic | DIN flange |
| | | H1 | H2 | H1 | H2 | | | | |
| SBI,SBN1-2 | 0.37 | 257 | 452 | 282 | 477 | 141 | 115 | 19.3 | 20.2 |
| SBI,SBN1-3 | 0.37 | 257 | 452 | 282 | 477 | 141 | 115 | 19.3 | 20.3 |
| SBI,SBN1-4 | 0.37 | 275 | 470 | 300 | 495 | 141 | 115 | 19.7 | 20.6 |
| SBI,SBN1-5 | 0.37 | 293 | 488 | 318 | 513 | 141 | 115 | 20.1 | 21.0 |
| SBI,SBN1-6 | 0.37 | 311 | 506 | 336 | 531 | 141 | 115 | 20.4 | 21.4 |
| SBI,SBN1-7 | 0.37 | 329 | 524 | 354 | 549 | 141 | 115 | 20.8 | 21.7 |
| SBI,SBN1-8 | 0.55 | 347 | 542 | 372 | 567 | 141 | 115 | 21.7 | 22.6 |
| SBI,SBN1-9 | 0.55 | 365 | 560 | 390 | 585 | 141 | 115 | 22.0 | 23.0 |
| SBI,SBN1-10 | 0.55 | 383 | 578 | 408 | 603 | 141 | 115 | 22.4 | 23.3 |
| SBI,SBN1-11 | 0.55 | 401 | 596 | 426 | 621 | 141 | 115 | 22.8 | 23.7 |
| SBI,SBN1-12 | 0.75 | 425 | 660 | 450 | 685 | 141 | 115 | 25.2 | 26.1 |
| SBI,SBN1-13 | 0.75 | 443 | 678 | 468 | 703 | 141 | 115 | 25.6 | 26.5 |
| SBI,SBN1-15 | 0.75 | 479 | 714 | 504 | 739 | 141 | 115 | 26.3 | 27.2 |
| SBI,SBN1-17 | 1.1 | 515 | 750 | 540 | 775 | 141 | 115 | 28.1 | 29.1 |
| SBI,SBN1-19 | 1.1 | 551 | 786 | 576 | 811 | 141 | 115 | 28.8 | 29.8 |
| SBI,SBN1-21 | 1.1 | 587 | 822 | 612 | 847 | 141 | 115 | 29.6 | 30.6 |
| SBI,SBN1-23 | 1.1 | 623 | 858 | 648 | 883 | 141 | 115 | 30.4 | 31.3 |
| SBI,SBN1-25 | 1.5 | 675 | 966 | 700 | 991 | 177 | 141 | 39.8 | 40.8 |
| SBI,SBN1-27 | 1.5 | 711 | 1002 | 736 | 1027 | 177 | 141 | 40.6 | 41.5 |
| SBI,SBN1-30 | 1.5 | 765 | 1056 | 790 | 1081 | 177 | 141 | 41.7 | 42.6 |
| SBI,SBN1-33 | 2.2 | 819 | 1110 | 844 | 1135 | 177 | 141 | 45.6 | 46.6 |
| SBI,SBN1-36 | 2.2 | 873 | 1164 | 898 | 1189 | 177 | 141 | 46.7 | 47.7 |

Technical data

Vertical Multistage Centrifugal In-line Pumps

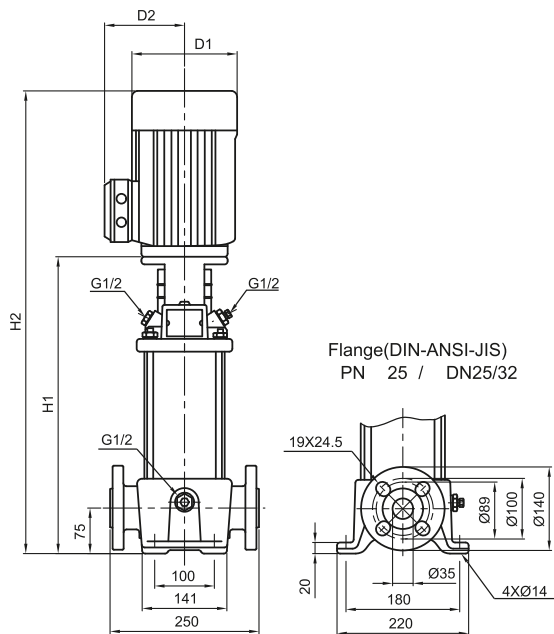
SB, SBI, SBN 3



Technical data

Vertical Multistage Centrifugal In-line Pumps

Dimensions and weights – SB 3

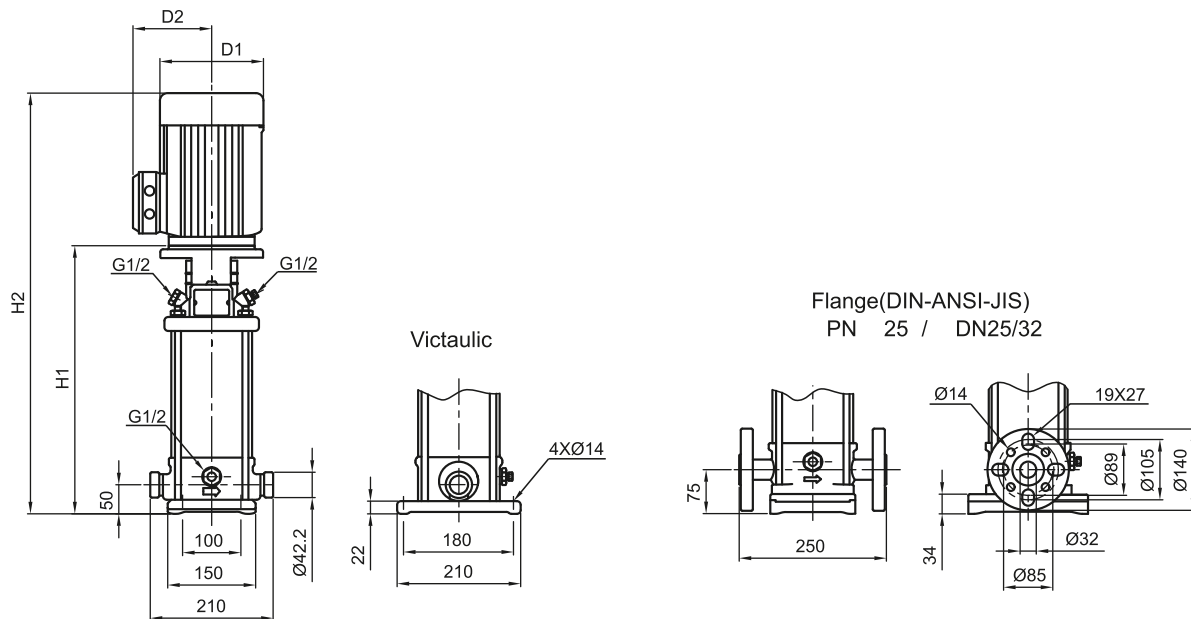


| Pump type | Motor P ₂ [kW] | SB | | | | |
|-----------|---------------------------------|---------------|------|-----|-----|--------------------|
| | | Dimension[mm] | | | | Net weight [kg] |
| | | DIN flange | | D1 | D2 | |
| | | H1 | H2 | | | |
| SB 3-2 | 0.37 | 279 | 474 | 141 | 115 | 23.4 |
| SB 3-3 | 0.37 | 279 | 474 | 141 | 115 | 23.4 |
| SB 3-4 | 0.37 | 297 | 492 | 141 | 115 | 23.8 |
| SB 3-5 | 0.37 | 315 | 510 | 141 | 115 | 24.2 |
| SB 3-6 | 0.55 | 333 | 528 | 141 | 115 | 25.0 |
| SB 3-7 | 0.55 | 351 | 546 | 141 | 115 | 25.4 |
| SB 3-8 | 0.75 | 375 | 610 | 141 | 115 | 27.9 |
| SB 3-9 | 0.75 | 393 | 628 | 141 | 115 | 28.3 |
| SB 3-10 | 0.75 | 411 | 646 | 141 | 115 | 28.7 |
| SB 3-11 | 1.1 | 429 | 664 | 141 | 115 | 30.2 |
| SB 3-12 | 1.1 | 447 | 682 | 141 | 115 | 30.5 |
| SB 3-13 | 1.1 | 465 | 700 | 141 | 115 | 30.9 |
| SB 3-15 | 1.1 | 501 | 736 | 141 | 141 | 31.6 |
| SB 3-17 | 1.5 | 553 | 844 | 177 | 141 | 41.0 |
| SB 3-19 | 1.5 | 589 | 880 | 177 | 141 | 41.8 |
| SB 3-21 | 2.2 | 625 | 916 | 177 | 141 | 45.3 |
| SB 3-23 | 2.2 | 661 | 952 | 177 | 141 | 46.1 |
| SB 3-25 | 2.2 | 697 | 988 | 177 | 141 | 46.8 |
| SB 3-27 | 2.2 | 733 | 1024 | 177 | 141 | 47.6 |
| SB 3-29 | 2.2 | 769 | 1060 | 177 | 141 | 48.3 |
| SB 3-31 | 3 | 809 | 1125 | 197 | 147 | 56.6 |
| SB 3-33 | 3 | 845 | 1161 | 197 | 147 | 57.4 |
| SB 3-36 | 3 | 899 | 1215 | 197 | 147 | 58.5 |

Technical data

Vertical Multistage Centrifugal In-line Pumps

Dimensions and weights – SBI, SBN 3

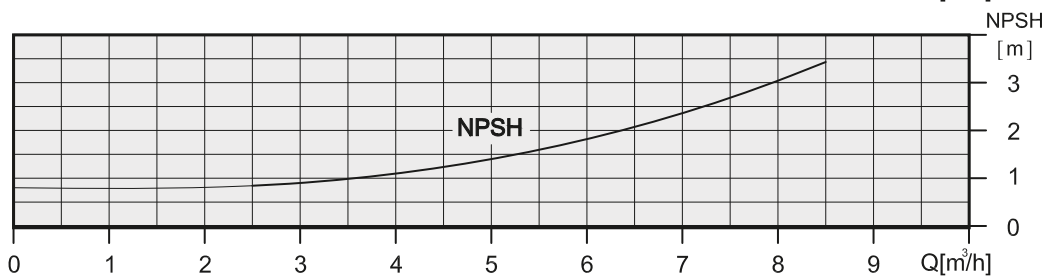
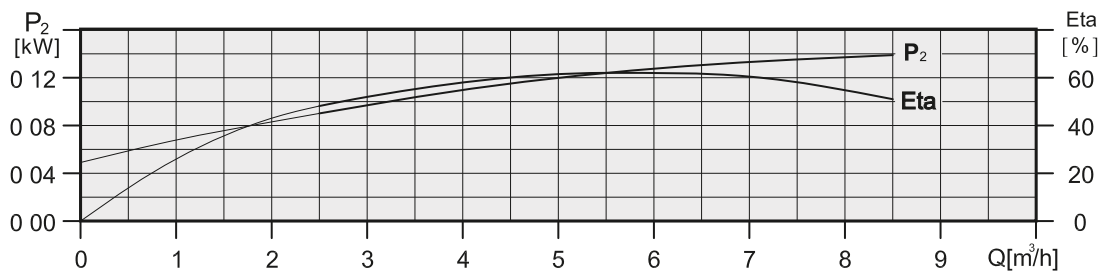
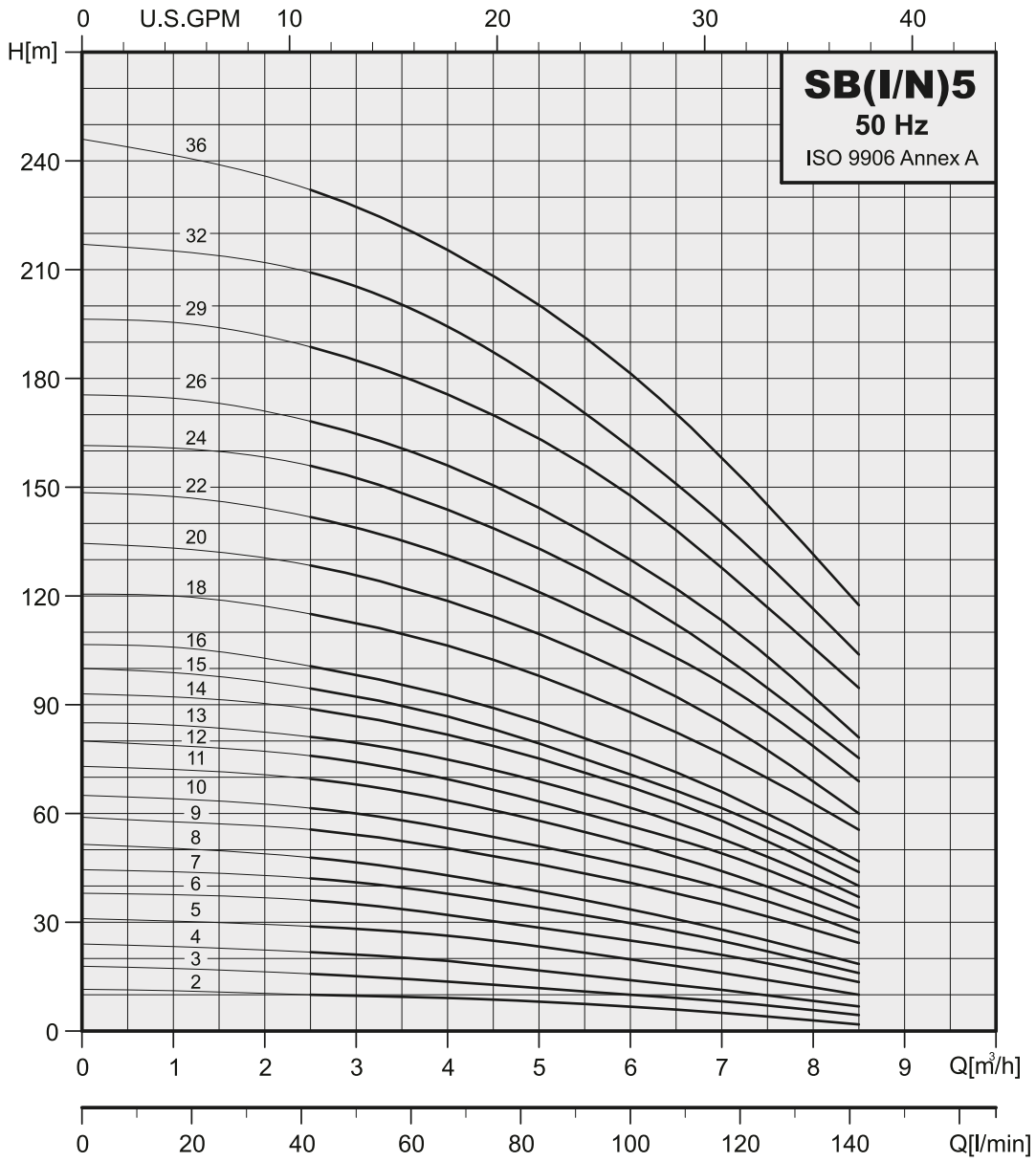


| Pump type | Motor P ₂ [kW] | SBI , SBN | | | | | | | |
|-------------|---------------------------------|----------------|------|------------|------|-----|-----|-----------------|------------|
| | | Dimension [mm] | | | | | | Net weight [kg] | |
| | | Victaulic | | DIN flange | | D1 | D2 | Victaulic | DIN flange |
| H1 | H2 | H1 | H2 | | | | | | |
| SBI,SBN3-2 | 0.37 | 257 | 452 | 282 | 477 | 141 | 115 | 19.3 | 20.2 |
| SBI,SBN3-3 | 0.37 | 257 | 452 | 282 | 477 | 141 | 115 | 19.3 | 20.3 |
| SBI,SBN3-4 | 0.37 | 275 | 470 | 300 | 495 | 141 | 115 | 19.7 | 20.6 |
| SBI,SBN3-5 | 0.37 | 293 | 488 | 318 | 513 | 141 | 115 | 20.1 | 21.0 |
| SBI,SBN3-6 | 0.55 | 311 | 506 | 336 | 531 | 141 | 115 | 20.9 | 21.9 |
| SBI,SBN3-7 | 0.55 | 329 | 524 | 354 | 549 | 141 | 115 | 21.3 | 22.2 |
| SBI,SBN3-8 | 0.75 | 353 | 588 | 378 | 613 | 141 | 115 | 23.7 | 24.6 |
| SBI,SBN3-9 | 0.75 | 371 | 606 | 396 | 631 | 141 | 115 | 24.0 | 25.0 |
| SBI,SBN3-10 | 0.75 | 389 | 624 | 414 | 649 | 141 | 115 | 24.4 | 25.4 |
| SBI,SBN3-11 | 1.1 | 407 | 642 | 432 | 667 | 141 | 115 | 25.9 | 26.9 |
| SBI,SBN3-12 | 1.1 | 425 | 660 | 450 | 685 | 141 | 115 | 26.3 | 27.2 |
| SBI,SBN3-13 | 1.1 | 443 | 678 | 468 | 703 | 141 | 115 | 26.7 | 27.6 |
| SBI,SBN3-15 | 1.1 | 479 | 714 | 504 | 739 | 141 | 115 | 27.4 | 28.3 |
| SBI,SBN3-17 | 1.5 | 531 | 822 | 556 | 847 | 177 | 141 | 36.9 | 37.8 |
| SBI,SBN3-19 | 1.5 | 567 | 858 | 592 | 883 | 177 | 141 | 37.6 | 38.5 |
| SBI,SBN3-21 | 2.2 | 603 | 894 | 628 | 919 | 177 | 141 | 41.2 | 42.1 |
| SBI,SBN3-23 | 2.2 | 639 | 930 | 664 | 955 | 177 | 141 | 41.9 | 42.9 |
| SBI,SBN3-25 | 2.2 | 675 | 966 | 700 | 991 | 177 | 141 | 42.6 | 43.6 |
| SBI,SBN3-27 | 2.2 | 711 | 1002 | 736 | 1027 | 177 | 141 | 43.4 | 44.3 |
| SBI,SBN3-29 | 2.2 | 747 | 1038 | 772 | 1063 | 177 | 141 | 44.1 | 45.1 |
| SBI,SBN3-31 | 3 | 787 | 1103 | 812 | 1128 | 197 | 147 | 52.0 | 53.0 |
| SBI,SBN3-33 | 3 | 823 | 1139 | 848 | 1164 | 197 | 147 | 52.8 | 53.7 |
| SBI,SBN3-36 | 3 | 877 | 1193 | 902 | 1218 | 197 | 147 | 53.9 | 54.8 |

Technical data

Vertical Multistage Centrifugal In-line Pumps

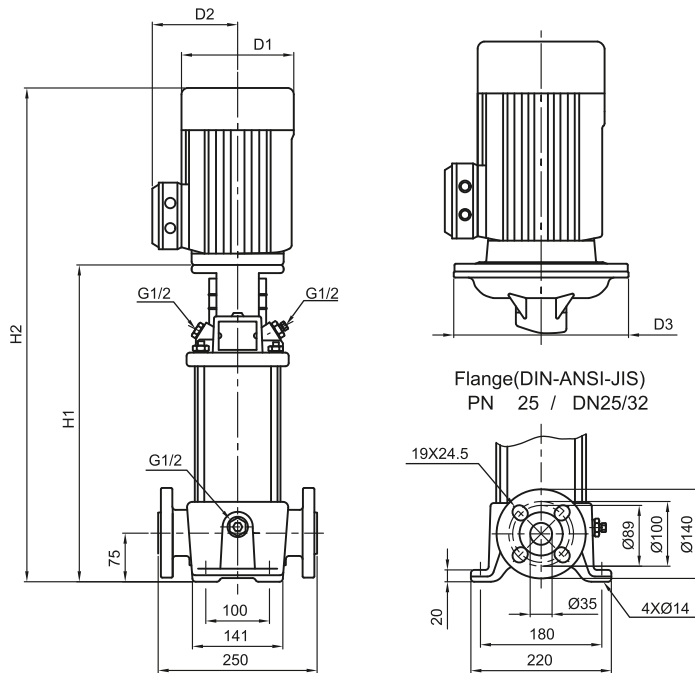
SB, SBI, SBN 5



Technical data

Vertical Multistage Centrifugal In-line Pumps

Dimensions and weights – SB 5

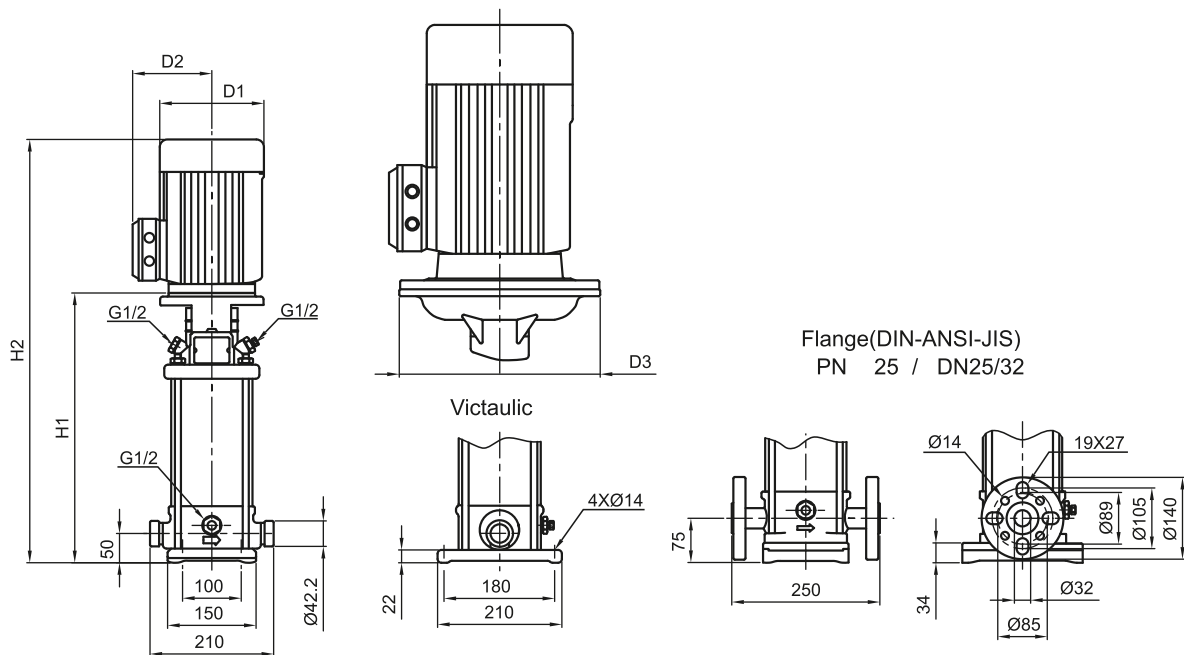


| Pump type | Motor | SB | | | | | | Net weight [kg] |
|-----------|---------------------|---------------|------|-----|-----|-----|------------|-----------------|
| | | Dimension[mm] | | | | | DIN flange | |
| | P ₂ [kW] | H1 | H2 | D1 | D2 | D3 | | |
| SB 5-2 | 0.37 | 279 | 474 | 141 | 115 | — | 23.3 | |
| SB 5-3 | 0.55 | 306 | 501 | 141 | 115 | — | 24.2 | |
| SB 5-4 | 0.55 | 333 | 528 | 141 | 115 | — | 24.8 | |
| SB 5-5 | 0.75 | 366 | 601 | 141 | 115 | — | 27.4 | |
| SB 5-6 | 1.1 | 393 | 628 | 141 | 115 | — | 29.1 | |
| SB 5-7 | 1.1 | 420 | 655 | 141 | 115 | — | 29.6 | |
| SB 5-8 | 1.1 | 447 | 682 | 141 | 115 | — | 30.1 | |
| SB 5-9 | 1.5 | 490 | 781 | 177 | 141 | — | 39.3 | |
| SB 5-10 | 1.5 | 517 | 808 | 177 | 141 | — | 39.9 | |
| SB 5-11 | 2.2 | 544 | 835 | 177 | 141 | — | 43.2 | |
| SB 5-12 | 2.2 | 571 | 862 | 177 | 141 | — | 43.7 | |
| SB 5-13 | 2.2 | 598 | 889 | 177 | 141 | — | 44.2 | |
| SB 5-14 | 2.2 | 625 | 916 | 177 | 141 | — | 44.8 | |
| SB 5-15 | 2.2 | 652 | 943 | 177 | 141 | — | 45.2 | |
| SB 5-16 | 2.2 | 679 | 970 | 177 | 141 | — | 45.8 | |
| SB 5-18 | 3 | 737 | 1053 | 197 | 147 | — | 54.3 | |
| SB 5-20 | 3 | 791 | 1107 | 197 | 147 | — | 55.5 | |
| SB 5-22 | 4 | 845 | 1171 | 220 | 161 | — | 59.8 | |
| SB 5-24 | 4 | 899 | 1225 | 220 | 161 | — | 60.8 | |
| SB 5-26 | 4 | 953 | 1279 | 220 | 161 | — | 62.7 | |
| SB 5-29 | 4 | 1034 | 1360 | 220 | 161 | — | 64.6 | |
| SB 5-32 | 5.5 | 1145 | 1507 | 235 | 197 | 300 | 90.1 | |
| SB 5-36 | 5.5 | 1253 | 1615 | 235 | 197 | 300 | 92.6 | |

Technical data

Vertical Multistage Centrifugal In-line Pumps

Dimensions and weights – SBI, SBN 5

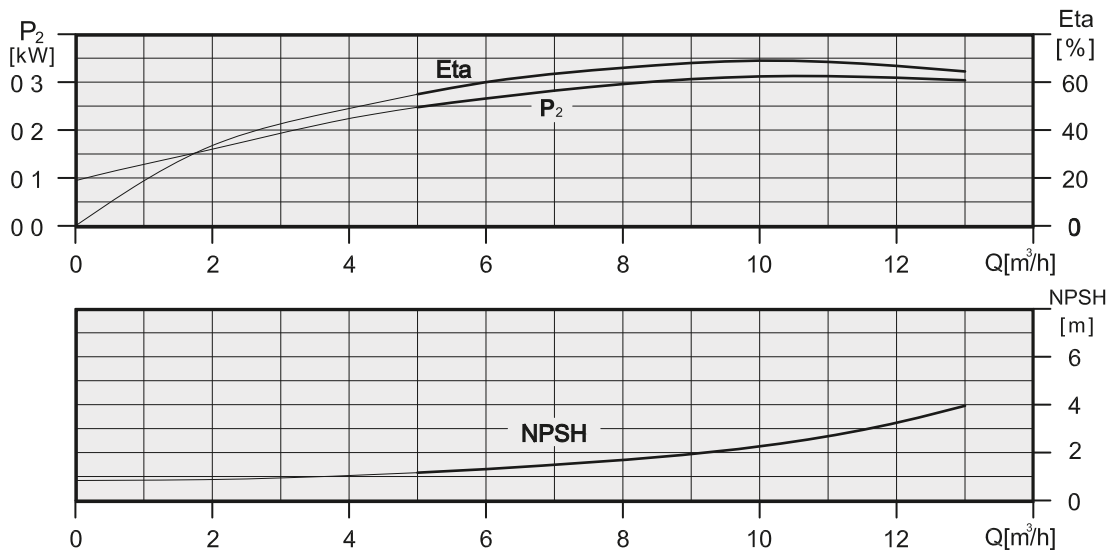
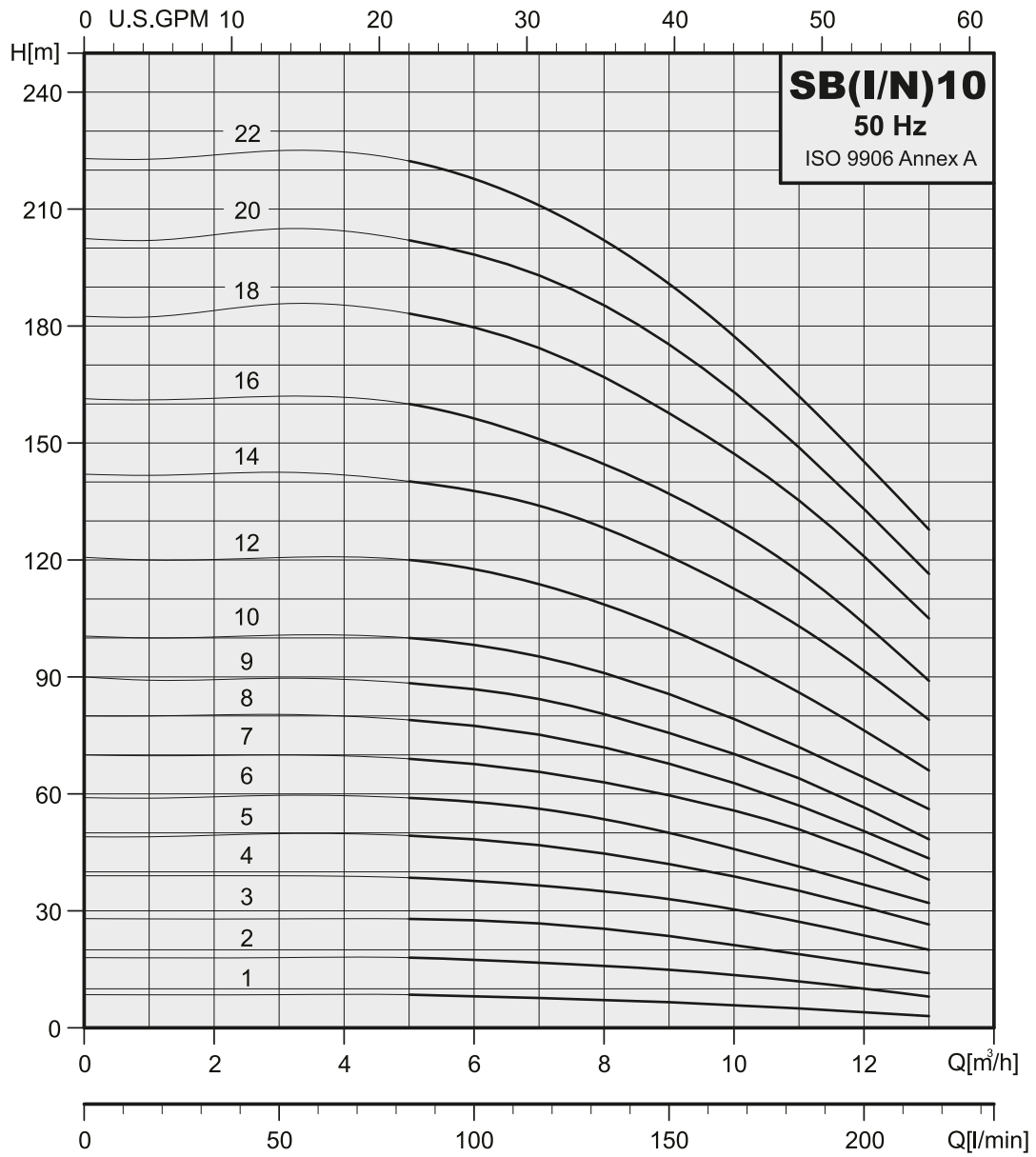


| Pump type | Motor P ₂ [kW] | SBI, SBN | | | | | | | | |
|-------------|---------------------------------|----------------|------|------------|------|-----|-----|-----------------|-----------|------------|
| | | Dimension [mm] | | | | | | Net weight [kg] | | |
| | | Victaulic | | DIN flange | | D1 | D2 | D3 | Victaulic | DIN flange |
| H1 | H2 | H1 | H2 | | | | | | | |
| SBI,SBN5-2 | 0.37 | 257 | 452 | 282 | 477 | 141 | 115 | — | 19.2 | 20.1 |
| SBI,SBN5-3 | 0.55 | 284 | 479 | 309 | 504 | 141 | 115 | — | 20.3 | 21.2 |
| SBI,SBN5-4 | 0.55 | 311 | 506 | 336 | 531 | 141 | 115 | — | 20.8 | 21.8 |
| SBI,SBN5-5 | 0.75 | 344 | 579 | 369 | 604 | 141 | 115 | — | 23.4 | 24.3 |
| SBI,SBN5-6 | 1.1 | 371 | 606 | 396 | 631 | 141 | 115 | — | 25.1 | 26.0 |
| SBI,SBN5-7 | 1.1 | 398 | 633 | 423 | 658 | 141 | 115 | — | 25.6 | 26.5 |
| SBI,SBN5-8 | 1.1 | 425 | 660 | 450 | 685 | 141 | 115 | — | 26.1 | 27.1 |
| SBI,SBN5-9 | 1.5 | 468 | 759 | 493 | 784 | 177 | 141 | — | 35.4 | 36.4 |
| SBI,SBN5-10 | 1.5 | 495 | 786 | 520 | 811 | 177 | 141 | — | 36.0 | 36.9 |
| SBI,SBN5-11 | 2.2 | 522 | 813 | 547 | 838 | 177 | 141 | — | 39.3 | 40.3 |
| SBI,SBN5-12 | 2.2 | 549 | 840 | 574 | 865 | 177 | 141 | — | 39.9 | 40.8 |
| SBI,SBN5-13 | 2.2 | 576 | 867 | 601 | 892 | 177 | 141 | — | 40.4 | 41.4 |
| SBI,SBN5-14 | 2.2 | 603 | 894 | 628 | 919 | 177 | 141 | — | 41.0 | 41.9 |
| SBI,SBN5-15 | 2.2 | 630 | 921 | 655 | 946 | 177 | 141 | — | 41.5 | 42.5 |
| SBI,SBN5-16 | 2.2 | 657 | 948 | 682 | 973 | 177 | 141 | — | 42.1 | 43.0 |
| SBI,SBN5-18 | 3 | 715 | 1031 | 740 | 1056 | 197 | 147 | — | 50.3 | 51.3 |
| SBI,SBN5-20 | 3 | 769 | 1085 | 794 | 1110 | 197 | 147 | — | 51.6 | 52.5 |
| SBI,SBN5-22 | 4 | 823 | 1149 | 848 | 1174 | 220 | 161 | — | 55.8 | 56.8 |
| SBI,SBN5-24 | 4 | 877 | 1203 | 902 | 1228 | 220 | 161 | — | 56.9 | 57.8 |
| SBI,SBN5-26 | 4 | 931 | 1257 | 956 | 1282 | 220 | 161 | — | 58.0 | 58.9 |
| SBI,SBN5-29 | 4 | 1012 | 1338 | 1037 | 1363 | 220 | 161 | — | 59.7 | 60.6 |
| SBI,SBN5-32 | 5.5 | 1123 | 1485 | 1148 | 1510 | 235 | 197 | 300 | 84.9 | 85.8 |
| SBI,SBN5-36 | 5.5 | 1231 | 1593 | 1256 | 1618 | 235 | 197 | 300 | 87.1 | 88.1 |

Technical data

Vertical Multistage Centrifugal In-line Pumps

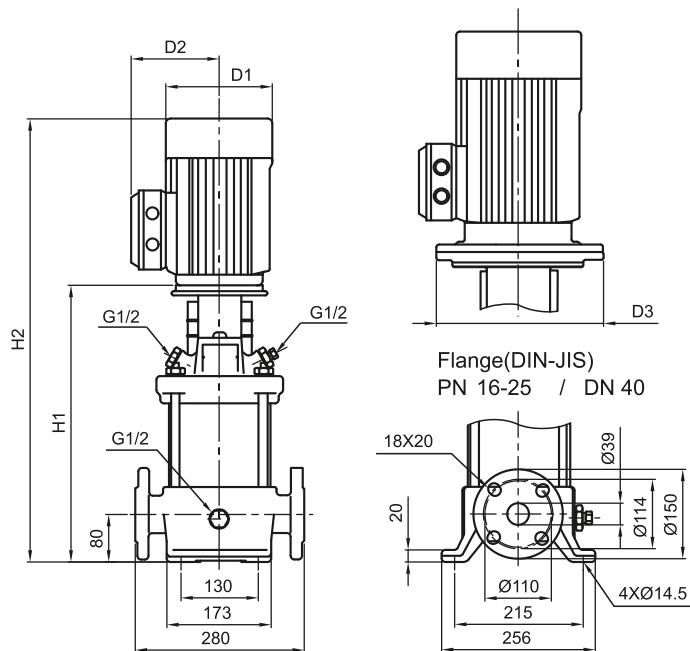
SB, SBI, SBN 10



Technical data

Vertical Multistage Centrifugal In-line Pumps

Dimensions and weights – SB 10

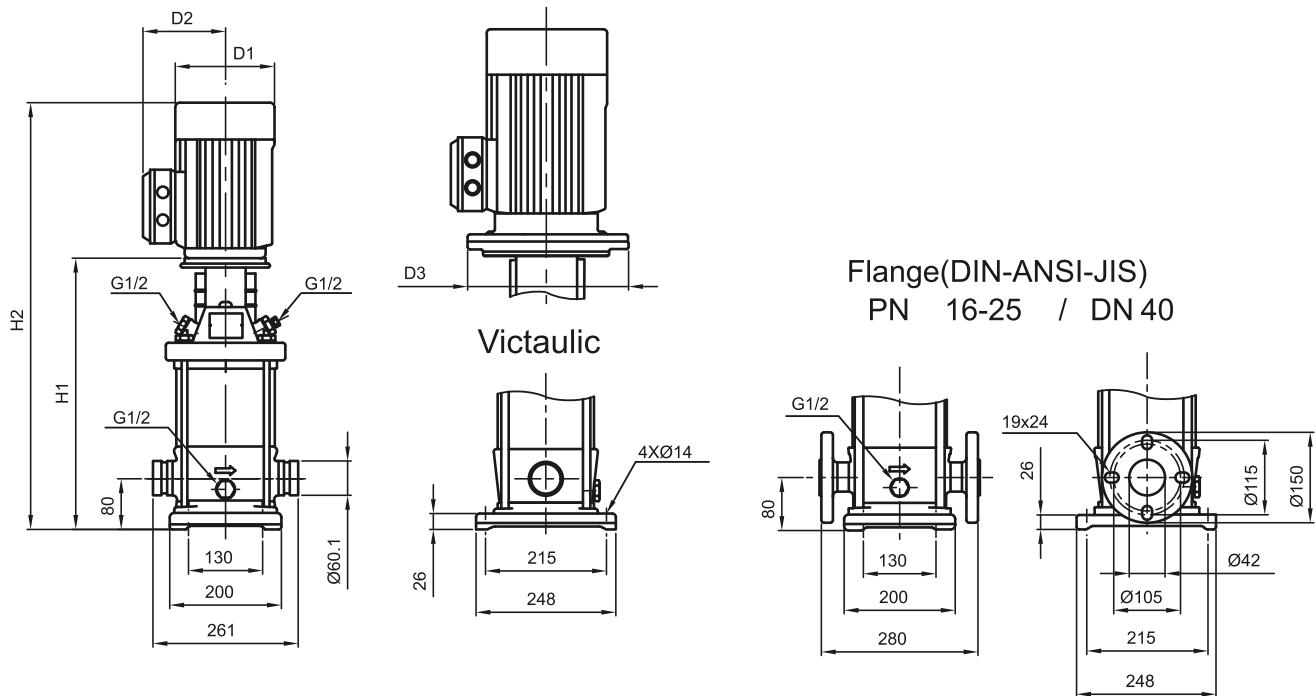


| Pump type | Motor | SB | | | | | |
|-----------|------------------------|---------------|------|-----|-----|-----|-----------------|
| | | Dimension[mm] | | | | | Net weight [kg] |
| | P ₂ [kW] | DIN flange | | D1 | D2 | D3 | |
| | | H1 | H2 | | | | |
| SB 10-1 | 0.37 | 343 | 538 | 141 | 115 | — | 35.9 |
| SB 10-2 | 0.75 | 347 | 582 | 141 | 115 | — | 38.2 |
| SB 10-3 | 1.1 | 377 | 612 | 141 | 115 | — | 40.3 |
| SB 10-4 | 1.5 | 423 | 714 | 177 | 141 | — | 50.1 |
| SB 10-5 | 2.2 | 453 | 744 | 177 | 141 | — | 53.9 |
| SB 10-6 | 2.2 | 483 | 774 | 177 | 141 | — | 55.0 |
| SB 10-7 | 3 | 518 | 834 | 197 | 147 | — | 63.8 |
| SB 10-8 | 3 | 548 | 864 | 197 | 147 | — | 64.9 |
| SB 10-9 | 3 | 578 | 894 | 197 | 147 | — | 65.9 |
| SB 10-10 | 4 | 608 | 934 | 220 | 161 | — | 70.3 |
| SB 10-12 | 4 | 668 | 994 | 220 | 161 | — | 72.4 |
| SB 10-14 | 5.5 | 760 | 1122 | 235 | 197 | 300 | 104.1 |
| SB 10-16 | 5.5 | 820 | 1182 | 235 | 197 | 300 | 106.2 |
| SB 10-18 | 7.5 | 880 | 1278 | 235 | 197 | 300 | 113.6 |
| SB 10-20 | 7.5 | 940 | 1338 | 235 | 197 | 300 | 116.7 |
| SB 10-22 | 7.5 | 1000 | 1398 | 235 | 197 | 300 | 118.8 |

Technical data

Vertical Multistage Centrifugal In-line Pumps

Dimensions and weights – SBI, SBN 10

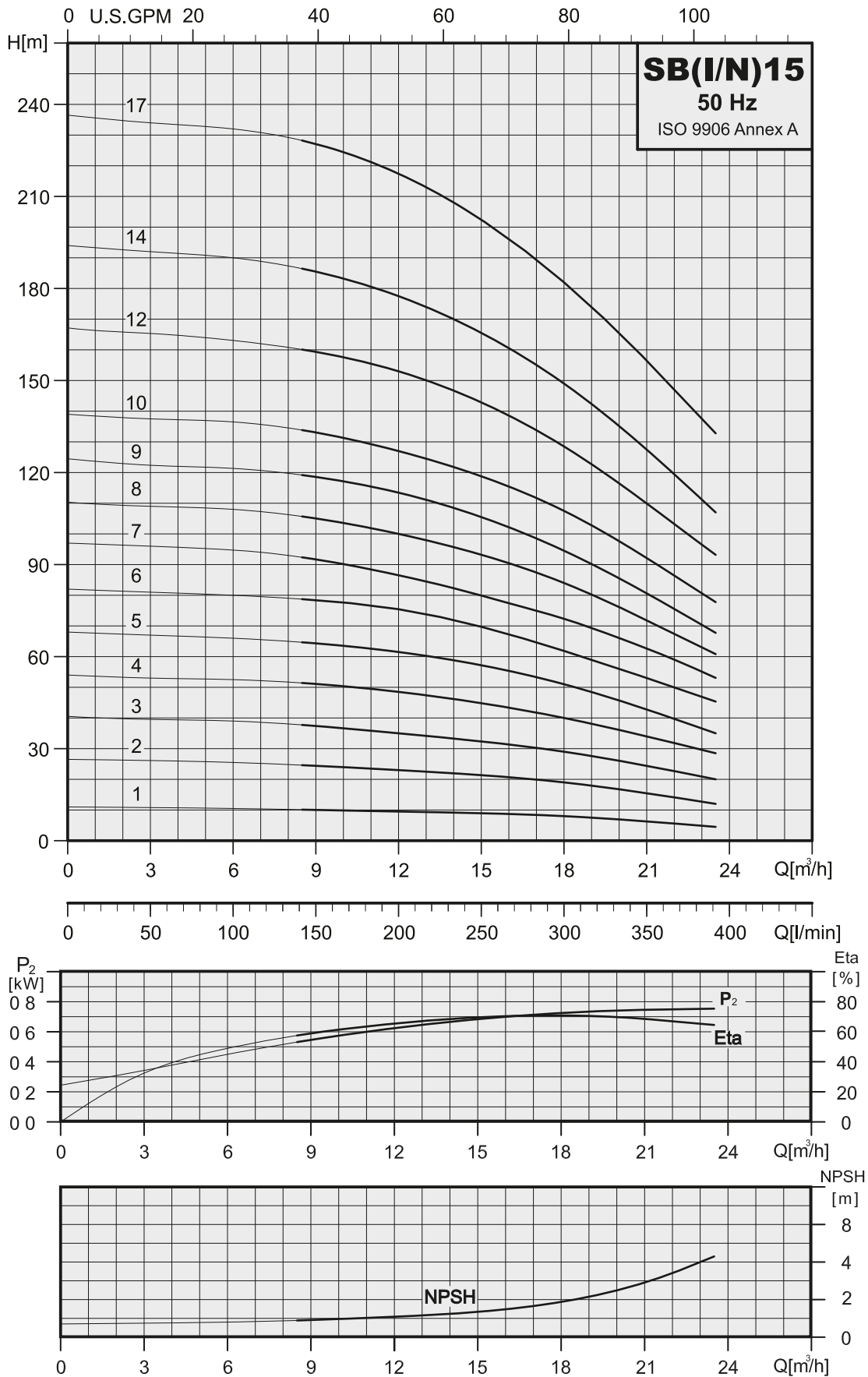


| Pump type | Motor P ₂ [kW] | SBI, SBN | | | | | | | | |
|--------------|---------------------------------|----------------|------|------------|------|-----|-----|-----------------|-----------|------------|
| | | Dimension [mm] | | | | | | Net weight [kg] | | |
| | | Victaulic | | DIN flange | | D1 | D2 | D3 | Victaulic | DIN flange |
| H1 | H2 | H1 | H2 | | | | | | | |
| SBI,SBN10-1 | 0.37 | 353 | 548 | 353 | 548 | 141 | 115 | — | 31.6 | 31.4 |
| SBI,SBN10-2 | 0.75 | 357 | 592 | 357 | 592 | 141 | 115 | — | 34.3 | 34.2 |
| SBI,SBN10-3 | 1.1 | 387 | 622 | 387 | 622 | 141 | 115 | — | 36.4 | 36.3 |
| SBI,SBN10-4 | 1.5 | 433 | 724 | 433 | 724 | 177 | 141 | — | 46.1 | 46.0 |
| SBI,SBN10-5 | 2.2 | 463 | 754 | 463 | 754 | 177 | 141 | — | 50.0 | 49.8 |
| SBI,SBN10-6 | 2.2 | 493 | 784 | 493 | 784 | 177 | 141 | — | 51.0 | 50.8 |
| SBI,SBN10-7 | 3 | 528 | 844 | 528 | 844 | 197 | 147 | — | 59.1 | 58.9 |
| SBI,SBN10-8 | 3 | 558 | 874 | 558 | 874 | 197 | 147 | — | 60.1 | 60.0 |
| SBI,SBN10-9 | 3 | 588 | 904 | 588 | 904 | 197 | 147 | — | 61.1 | 61.0 |
| SBI,SBN10-10 | 4 | 618 | 944 | 618 | 944 | 220 | 161 | — | 65.6 | 65.4 |
| SBI,SBN10-12 | 4 | 678 | 1004 | 678 | 1004 | 220 | 161 | — | 67.6 | 67.5 |
| SBI,SBN10-14 | 5.5 | 770 | 1132 | 770 | 1132 | 235 | 197 | 300 | 100.4 | 100.3 |
| SBI,SBN10-16 | 5.5 | 830 | 1192 | 830 | 1192 | 235 | 197 | 300 | 102.5 | 102.4 |
| SBI,SBN10-18 | 7.5 | 890 | 1288 | 890 | 1288 | 235 | 197 | 300 | 110.9 | 110.8 |
| SBI,SBN10-20 | 7.5 | 950 | 1348 | 950 | 1348 | 235 | 197 | 300 | 113.0 | 112.8 |
| SBI,SBN10-22 | 7.5 | 1010 | 1408 | 1010 | 1408 | 235 | 197 | 300 | 115.1 | 114.9 |

Technical data

Vertical Multistage Centrifugal In-line Pumps

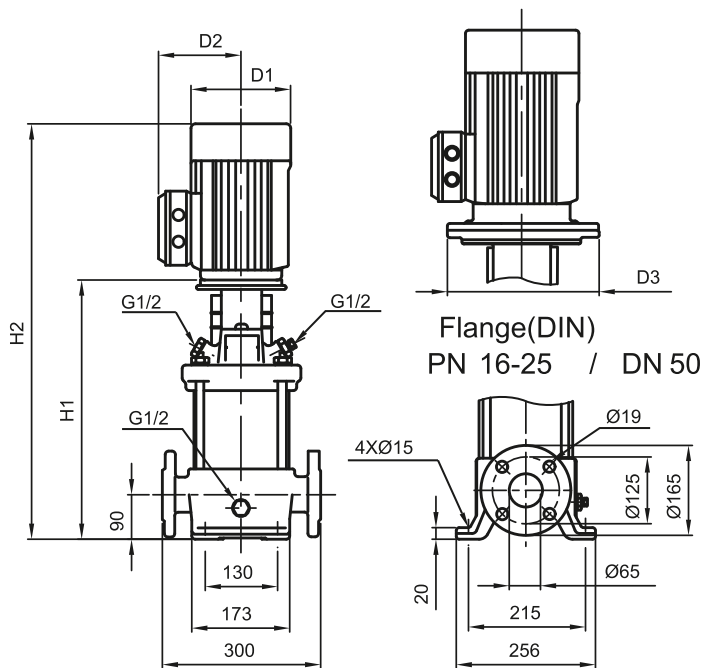
SB, SBI, SBN 15



Technical data

Vertical Multistage Centrifugal In-line Pumps

Dimensions and weights – SB 15

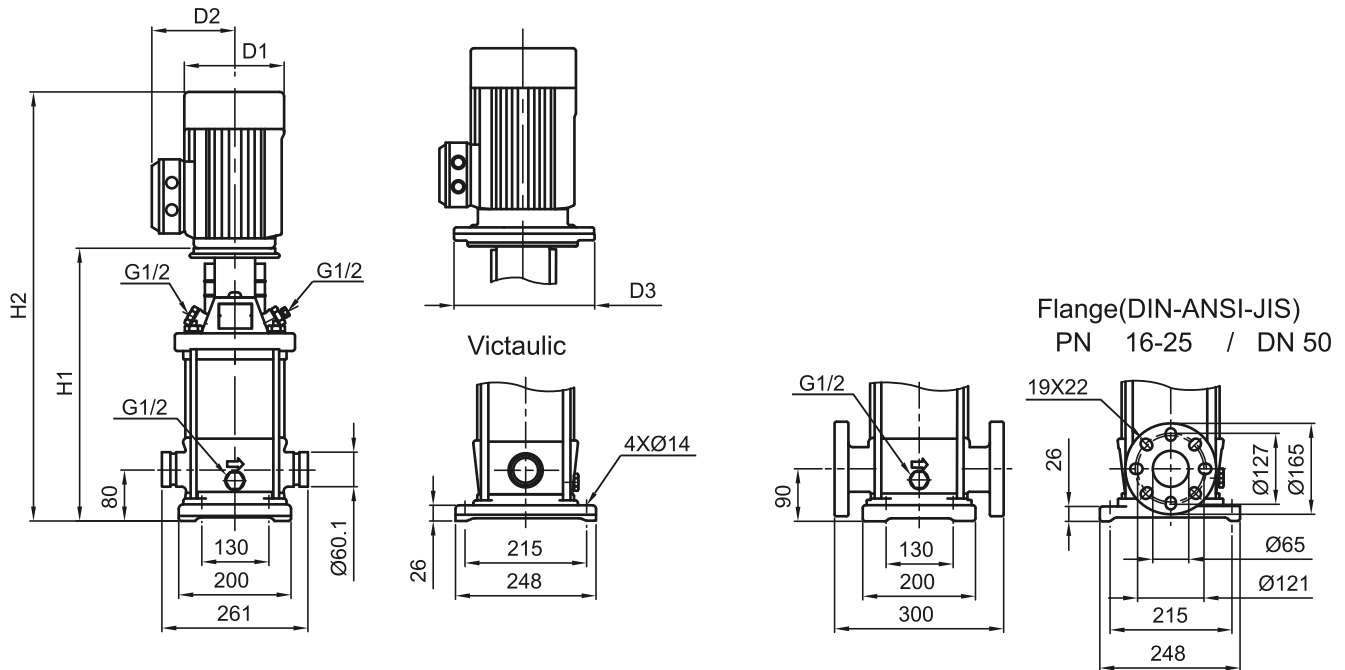


| Pump type | Motor | SB | | | | | | Net weight [kg] |
|-----------|------------------------|---------------|------|-----|-----|-----|------------|-----------------|
| | | Dimension[mm] | | | | | DIN flange | |
| | P ₂ [kW] | DIN flange | | D1 | D2 | D3 | | |
| | | H1 | H2 | | | | | |
| SB 15-1 | 1.1 | 400 | 635 | 141 | 115 | — | 43.8 | |
| SB 15-2 | 2.2 | 415 | 706 | 177 | 141 | — | 55.7 | |
| SB 15-3 | 3 | 465 | 781 | 197 | 147 | — | 64.9 | |
| SB 15-4 | 4 | 510 | 836 | 220 | 161 | — | 69.7 | |
| SB 15-5 | 4 | 555 | 881 | 220 | 161 | — | 71.2 | |
| SB 15-6 | 5.5 | 632 | 994 | 235 | 197 | 300 | 102.3 | |
| SB 15-7 | 5.5 | 677 | 1039 | 235 | 197 | 300 | 103.8 | |
| SB 15-8 | 7.5 | 722 | 1120 | 235 | 197 | 300 | 111.8 | |
| SB 15-9 | 7.5 | 767 | 1165 | 235 | 197 | 300 | 113.3 | |
| SB 15-10 | 11 | 889 | 1394 | 318 | 154 | 300 | 150.0 | |
| SB 15-12 | 11 | 979 | 1484 | 318 | 154 | 300 | 153.0 | |
| SB 15-14 | 11 | 1069 | 1574 | 318 | 154 | 300 | 156.3 | |
| SB 15-17 | 15 | 1204 | 1714 | 318 | 154 | 300 | 171.5 | |

Technical data

Vertical Multistage Centrifugal In-line Pumps

Dimensions and weights – SBI, SBN 15

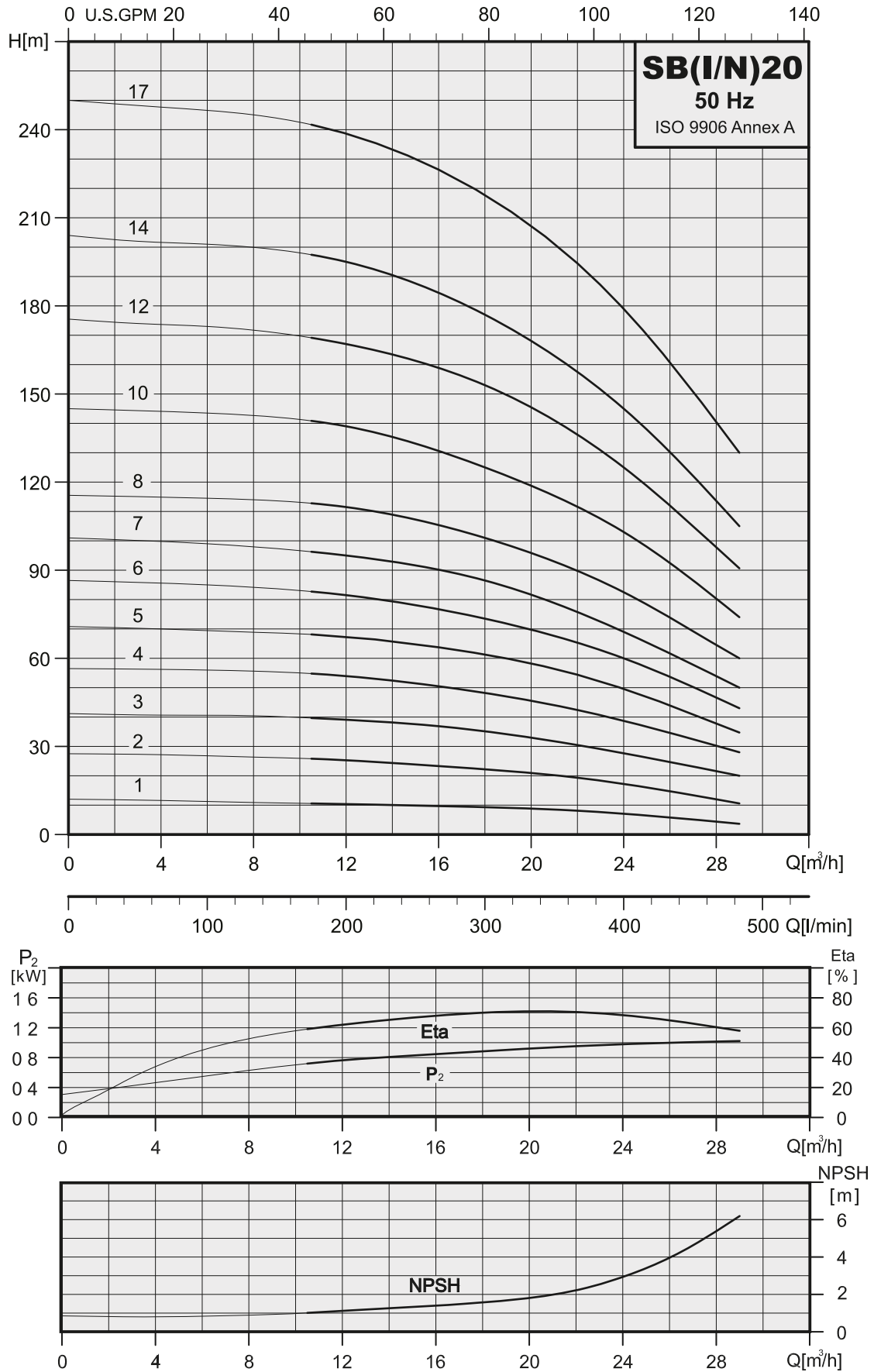


| Pump type | Motor P ₂ [kW] | SBI, SBN | | | | | | | | |
|--------------|---------------------------------|----------------|------|------------|------|-----|-----|-----------------|-----------|------------|
| | | Dimension [mm] | | | | | | Net weight [kg] | | |
| | | Victaulic | | DIN flange | | D1 | D2 | D3 | Victaulic | DIN flange |
| H1 | H2 | H1 | H2 | | | | | | | |
| SBI,SBN15-1 | 1.1 | 387 | 622 | 397 | 632 | 141 | 115 | — | 36.0 | 36.6 |
| SBI,SBN15-2 | 2.2 | 403 | 694 | 413 | 704 | 177 | 141 | — | 47.7 | 48.3 |
| SBI,SBN15-3 | 3 | 453 | 769 | 463 | 779 | 197 | 147 | — | 56.1 | 56.7 |
| SBI,SBN15-4 | 4 | 498 | 824 | 508 | 834 | 220 | 161 | — | 61.0 | 61.6 |
| SBI,SBN15-5 | 4 | 543 | 869 | 553 | 879 | 220 | 161 | — | 62.4 | 63.0 |
| SBI,SBN15-6 | 5.5 | 620 | 982 | 630 | 992 | 235 | 197 | 300 | 94.6 | 95.3 |
| SBI,SBN15-7 | 5.5 | 665 | 1027 | 675 | 1037 | 235 | 197 | 300 | 96.1 | 96.7 |
| SBI,SBN15-8 | 7.5 | 710 | 1108 | 720 | 1118 | 235 | 197 | 300 | 104.1 | 104.7 |
| SBI,SBN15-9 | 7.5 | 755 | 1153 | 765 | 1163 | 235 | 197 | 300 | 105.6 | 106.2 |
| SBI,SBN15-10 | 11 | 877 | 1382 | 887 | 1392 | 318 | 154 | 350 | 142.7 | 143.3 |
| SBI,SBN15-12 | 11 | 967 | 1472 | 977 | 1482 | 318 | 154 | 350 | 145.5 | 146.2 |
| SBI,SBN15-14 | 11 | 1057 | 1562 | 1067 | 1572 | 318 | 154 | 350 | 148.5 | 149.1 |
| SBI,SBN15-17 | 15 | 1192 | 1702 | 1202 | 1712 | 318 | 154 | 350 | 162.9 | 163.5 |

Technical data

Vertical Multistage Centrifugal In-line Pumps

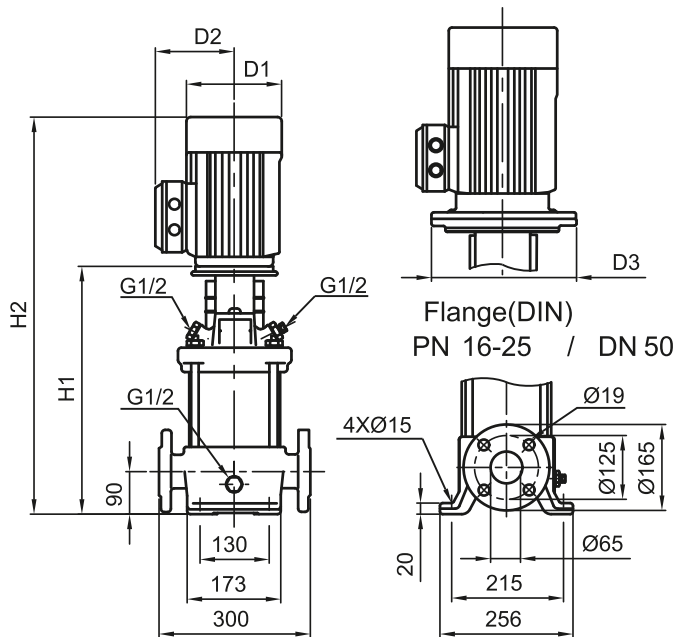
SB, SBI, SBN 20



Technical data

Vertical Multistage Centrifugal In-line Pumps

Dimensions and weights – SB 20

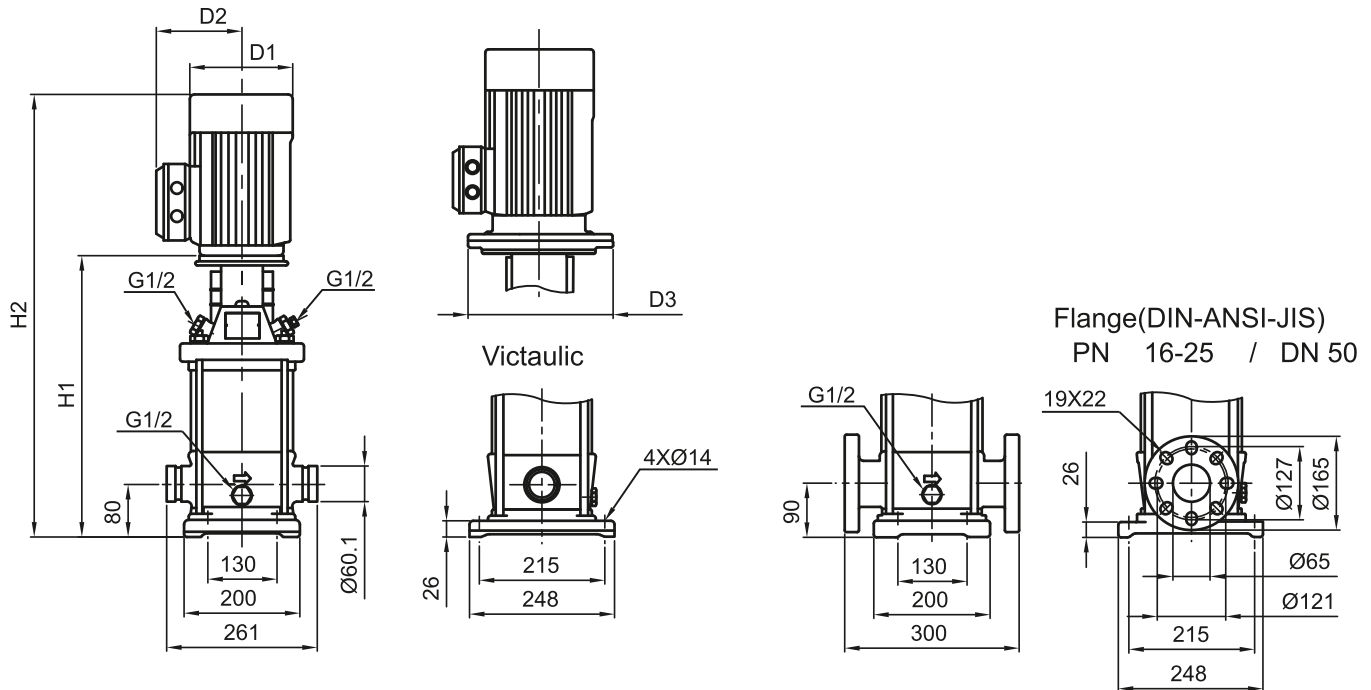


| Pump type | Motor | SB | | | | | |
|-----------|------------------------|---------------|------|-----|-----|-----|-----------------|
| | | Dimension[mm] | | | | | Net weight [kg] |
| | P ₂ [kW] | DIN flange | | D1 | D2 | D3 | |
| | | H1 | H2 | | | | |
| SB 20-1 | 1.1 | 400 | 636 | 141 | 115 | — | 43.9 |
| SB 20-2 | 2.2 | 415 | 708 | 177 | 141 | — | 55.7 |
| SB 20-3 | 4 | 465 | 795 | 220 | 161 | — | 68.3 |
| SB 20-4 | 5.5 | 542 | 910 | 235 | 197 | 300 | 99.4 |
| SB 20-5 | 5.5 | 587 | 955 | 235 | 197 | 300 | 100.8 |
| SB 20-6 | 7.5 | 632 | 1038 | 235 | 197 | 300 | 108.6 |
| SB 20-7 | 7.5 | 677 | 1083 | 235 | 197 | 300 | 110.1 |
| SB 20-8 | 11 | 799 | 1315 | 318 | 245 | 350 | 147.1 |
| SB 20-10 | 11 | 889 | 1405 | 318 | 245 | 350 | 150.0 |
| SB 20-12 | 15 | 979 | 1504 | 318 | 245 | 350 | 163.1 |
| SB 20-14 | 15 | 1069 | 1594 | 318 | 245 | 350 | 166.0 |
| SB 20-17 | 18.5 | 1204 | 1773 | 318 | 245 | 350 | 195.4 |

Technical data

Vertical Multistage Centrifugal In-line Pumps

Dimensions and weights – SBI, SBN 20

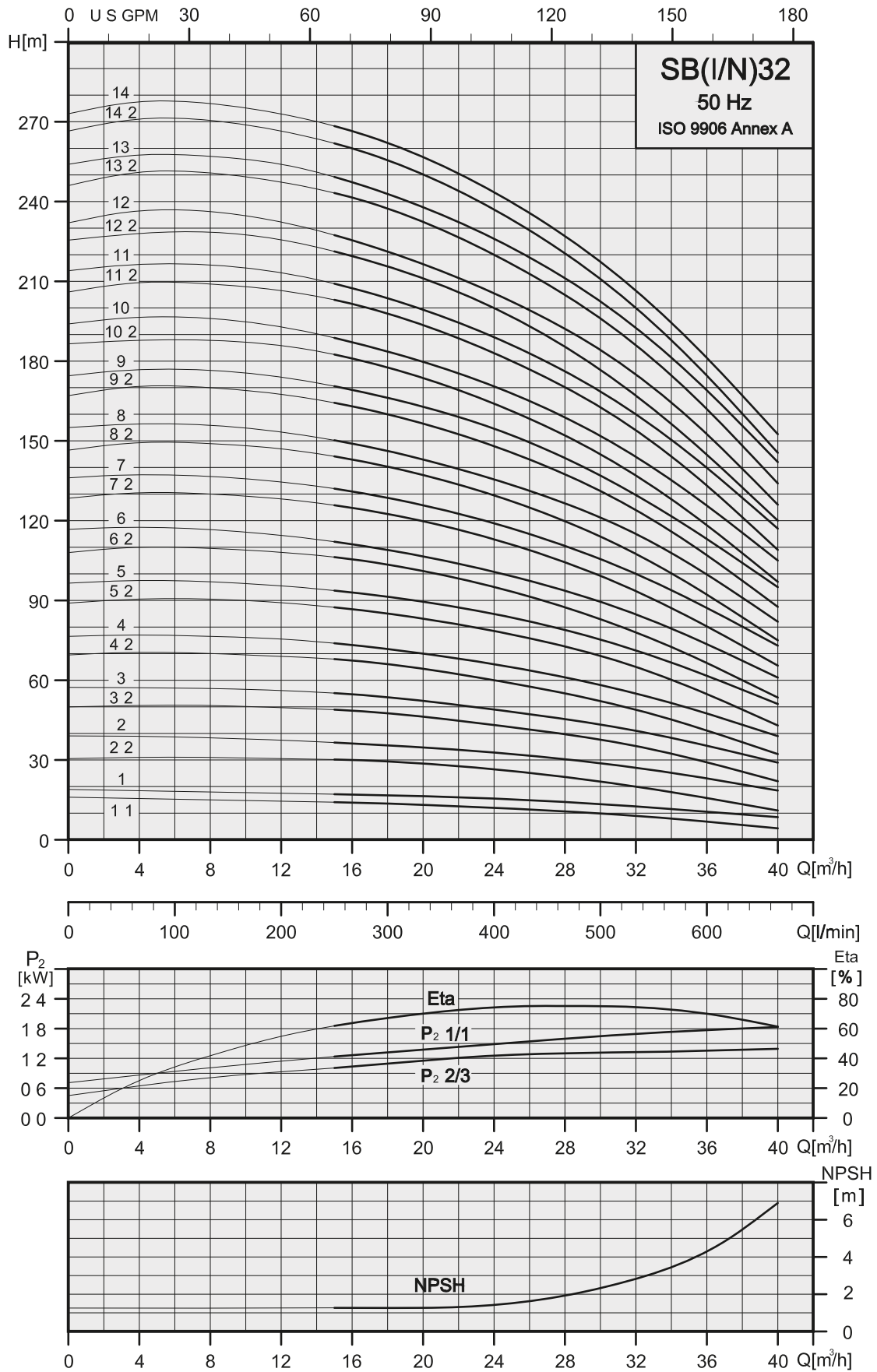


| Pump type | Motor | SBI, SBN | | | | | | | | |
|--------------|------------------------|----------------|------|------------|------|-----|-----|-----|-----------------|------------|
| | | Dimension [mm] | | | | | | | Net weight [kg] | |
| | P ₂ [kW] | Victaulic | | DIN flange | | D1 | D2 | D3 | Victaulic | DIN flange |
| | | H1 | H2 | H1 | H2 | | | | | |
| SBI,SBN20-1 | 1.1 | 387 | 623 | 397 | 632 | 141 | 115 | — | 36.0 | 36.6 |
| SBI,SBN20-2 | 2.2 | 403 | 696 | 413 | 704 | 177 | 141 | — | 47.7 | 48.3 |
| SBI,SBN20-3 | 4 | 453 | 783 | 463 | 789 | 220 | 161 | — | 59.5 | 60.2 |
| SBI,SBN20-4 | 5.5 | 530 | 898 | 540 | 902 | 235 | 197 | 300 | 91.7 | 92.3 |
| SBI,SBN20-5 | 5.5 | 575 | 943 | 585 | 947 | 235 | 197 | 300 | 93.2 | 93.8 |
| SBI,SBN20-6 | 7.5 | 620 | 1026 | 630 | 1028 | 235 | 197 | 300 | 100.9 | 101.6 |
| SBI,SBN20-7 | 7.5 | 665 | 1071 | 675 | 1073 | 235 | 197 | 300 | 102.4 | 103.0 |
| SBI,SBN20-8 | 11 | 787 | 1303 | 797 | 1302 | 318 | 245 | 350 | 139.7 | 140.3 |
| SBI,SBN20-10 | 11 | 877 | 1393 | 887 | 1392 | 318 | 245 | 350 | 142.7 | 143.3 |
| SBI,SBN20-12 | 15 | 967 | 1492 | 977 | 1487 | 318 | 245 | 350 | 155.7 | 156.3 |
| SBI,SBN20-14 | 15 | 1057 | 1582 | 1067 | 1577 | 318 | 245 | 350 | 158.6 | 159.2 |
| SBI,SBN20-17 | 18.5 | 1192 | 1761 | 1202 | 1752 | 318 | 245 | 350 | 187.8 | 188.5 |

Technical data

Vertical Multistage Centrifugal In-line Pumps

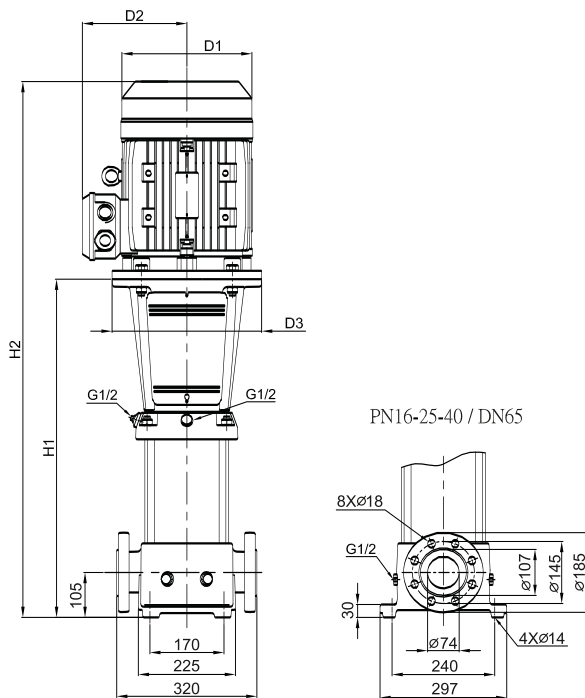
SB, SBI, SBN 32



Technical data

Vertical Multistage Centrifugal In-line Pumps

Dimensions and weights-SB32

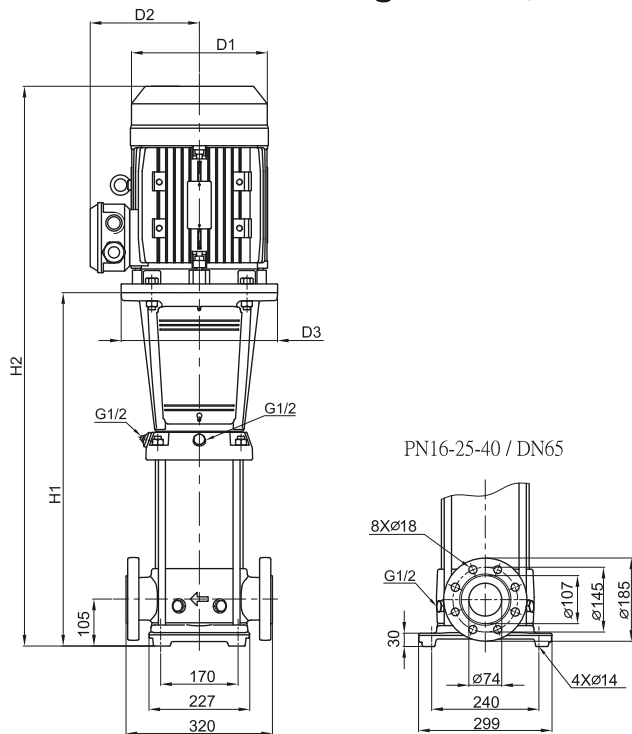


| Pump type | Motor P ₂ [kW] | SB | | | | | Net weight [kg] |
|------------|---------------------------------|----------------|------|------------|-----|-----|--------------------|
| | | Dimension [mm] | | | D1 | D2 | |
| | | DIN flange | | DIN flange | | | DIN flange |
| H1 | H2 | | | | | | |
| SB 32-1-1 | 1.5 | 504 | 795 | 177 | 141 | 280 | 71.5 |
| SB 32-1 | 2.2 | 504 | 795 | 177 | 141 | 280 | 74.3 |
| SB 32-2-2 | 3 | 574 | 935 | 197 | 147 | 280 | 84.2 |
| SB 32-2 | 4 | 574 | 900 | 220 | 161 | 280 | 87.6 |
| SB 32-3-2 | 5.5 | 644 | 1006 | 235 | 197 | 300 | 110.2 |
| SB 32-3 | 5.5 | 644 | 1006 | 235 | 197 | 300 | 110.2 |
| SB 32-4-2 | 7.5 | 714 | 1112 | 235 | 197 | 300 | 119.5 |
| SB 32-4 | 7.5 | 714 | 1112 | 235 | 197 | 300 | 119.5 |
| SB 32-5-2 | 11 | 894 | 1399 | 318 | 245 | 350 | 163.3 |
| SB 32-5 | 11 | 894 | 1399 | 318 | 245 | 350 | 163.3 |
| SB 32-6-2 | 11 | 964 | 1469 | 318 | 245 | 350 | 166.3 |
| SB 32-6 | 11 | 964 | 1469 | 318 | 245 | 350 | 166.3 |
| SB 32-7-2 | 15 | 1034 | 1544 | 318 | 245 | 350 | 179.5 |
| SB 32-7 | 15 | 1034 | 1544 | 318 | 245 | 350 | 179.5 |
| SB 32-8-2 | 15 | 1104 | 1614 | 318 | 245 | 350 | 182.6 |
| SB 32-8 | 15 | 1104 | 1614 | 318 | 245 | 350 | 182.6 |
| SB 32-9-2 | 18.5 | 1174 | 1724 | 318 | 245 | 350 | 210.6 |
| SB 32-9 | 18.5 | 1174 | 1724 | 318 | 245 | 350 | 210.6 |
| SB 32-10-2 | 18.5 | 1244 | 1794 | 318 | 245 | 350 | 212.7 |
| SB 32-10 | 18.5 | 1244 | 1794 | 318 | 245 | 350 | 213.7 |
| SB 32-11-2 | 22 | 1314 | 1894 | 358 | 265 | 350 | 258.8 |
| SB 32-11 | 22 | 1314 | 1894 | 358 | 265 | 350 | 258.8 |
| SB 32-12-2 | 22 | 1384 | 1964 | 358 | 265 | 350 | 260.8 |
| SB 32-12 | 22 | 1384 | 1964 | 358 | 265 | 350 | 260.8 |
| SB 32-13-2 | 30 | 1454 | 2114 | 420 | 295 | 400 | 328.2 |
| SB 32-13 | 30 | 1454 | 2114 | 420 | 295 | 400 | 328.2 |
| SB 32-14-2 | 30 | 1524 | 2184 | 420 | 295 | 400 | 331.3 |
| SB 32-14 | 30 | 1524 | 2184 | 420 | 295 | 400 | 331.3 |

Technical data

Vertical Multistage Centrifugal In-line Pumps

Dimensions and weights-SBI,SBN32

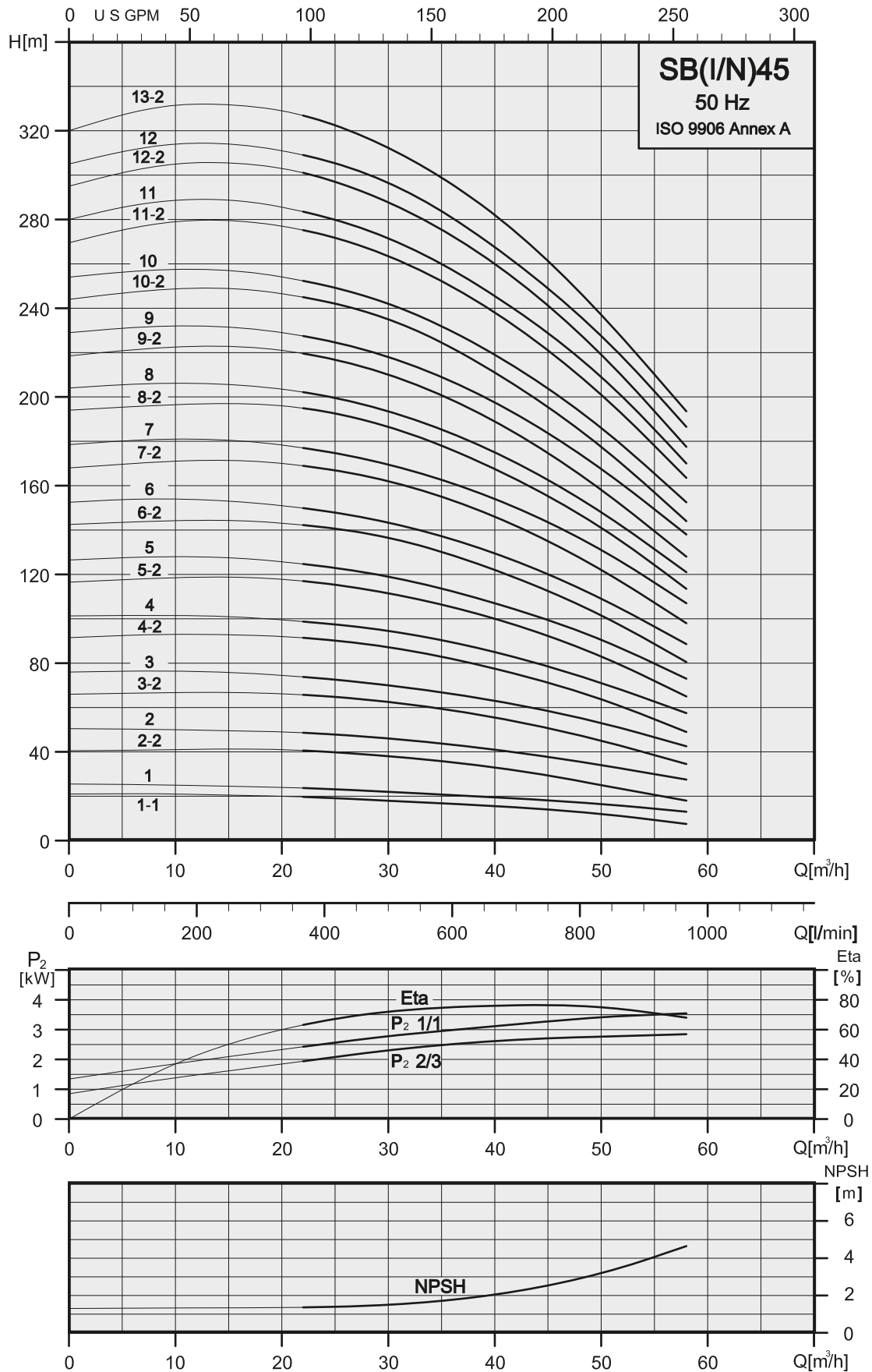


| Pump type | Motor | SBI,SBN | | | | | |
|-----------------|------------------------|---------------|------|-----|-----|-----|-----------------|
| | | Dimension[mm] | | | | | Net weight [kg] |
| | P ₂ [kW] | DIN flange | | D1 | D2 | D3 | |
| | | H1 | H2 | | | | |
| SBI,SBN 32-1-1 | 1.5 | 504 | 795 | 177 | 141 | 280 | 66.5 |
| SBI,SBN 32-1 | 2.2 | 504 | 795 | 177 | 141 | 280 | 69.3 |
| SBI,SBN 32-2-2 | 3 | 574 | 935 | 197 | 147 | 280 | 79.1 |
| SBI,SBN 32-2 | 4 | 574 | 900 | 220 | 161 | 280 | 82.5 |
| SBI,SBN 32-3-2 | 5.5 | 644 | 1006 | 235 | 197 | 300 | 105.1 |
| SBI,SBN 32-3 | 5.5 | 644 | 1006 | 235 | 197 | 300 | 105.1 |
| SBI,SBN 32-4-2 | 7.5 | 714 | 1112 | 235 | 197 | 300 | 114.5 |
| SBI,SBN 32-4 | 7.5 | 714 | 1112 | 235 | 197 | 300 | 114.6 |
| SBI,SBN 32-5-2 | 11 | 894 | 1399 | 318 | 245 | 350 | 158.2 |
| SBI,SBN 32-5 | 11 | 894 | 1399 | 318 | 245 | 350 | 158.3 |
| SBI,SBN 32-6-2 | 11 | 964 | 1469 | 318 | 245 | 350 | 161.3 |
| SBI,SBN 32-6 | 11 | 964 | 1469 | 318 | 245 | 350 | 161.4 |
| SBI,SBN 32-7-2 | 15 | 1034 | 1544 | 318 | 245 | 350 | 174.6 |
| SBI,SBN 32-7 | 15 | 1034 | 1544 | 318 | 245 | 350 | 174.6 |
| SBI,SBN 32-8-2 | 15 | 1104 | 1614 | 318 | 245 | 350 | 177.9 |
| SBI,SBN 32-8 | 15 | 1104 | 1614 | 318 | 245 | 350 | 177.9 |
| SBI,SBN 32-9-2 | 18.5 | 1174 | 1724 | 318 | 245 | 350 | 205.5 |
| SBI,SBN 32-9 | 18.5 | 1174 | 1724 | 318 | 245 | 350 | 205.6 |
| SBI,SBN 32-10-2 | 18.5 | 1244 | 1794 | 318 | 245 | 350 | 208.1 |
| SBI,SBN 32-10 | 18.5 | 1244 | 1794 | 318 | 245 | 350 | 208.2 |
| SBI,SBN 32-11-2 | 22 | 1314 | 1894 | 358 | 265 | 350 | 253.6 |
| SBI,SBN 32-11 | 22 | 1314 | 1894 | 358 | 265 | 350 | 253.6 |
| SBI,SBN 32-12-2 | 22 | 1384 | 1964 | 358 | 265 | 350 | 256.3 |
| SBI,SBN 32-12 | 22 | 1384 | 1964 | 358 | 265 | 350 | 256.3 |
| SBI,SBN 32-13-2 | 30 | 1454 | 2114 | 420 | 295 | 400 | 323.6 |
| SBI,SBN 32-13 | 30 | 1454 | 2114 | 420 | 295 | 400 | 323.6 |
| SBI,SBN 32-14-2 | 30 | 1524 | 2184 | 420 | 295 | 400 | 326.3 |
| SBI,SBN 32-14 | 30 | 1524 | 2184 | 420 | 295 | 400 | 326.3 |

Technical data

Vertical Multistage Centrifugal In-line Pumps

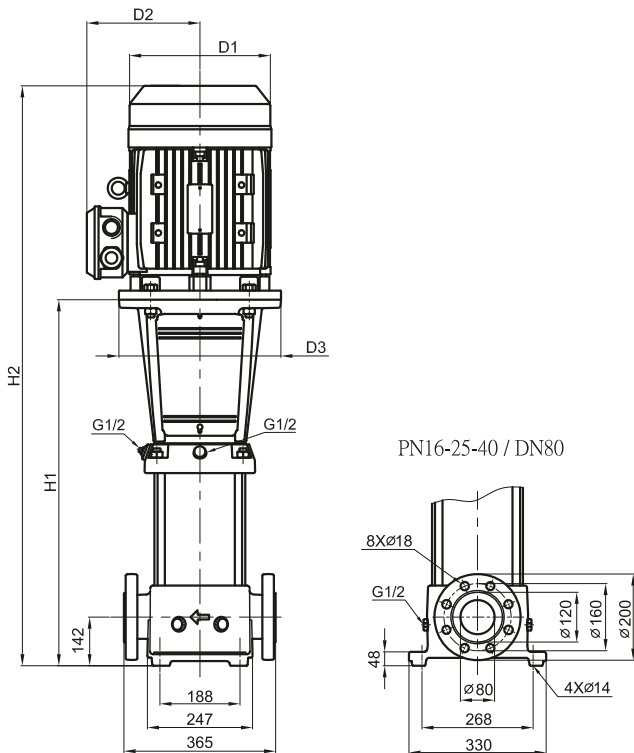
SB, SBI, SBN 45



Technical data

Vertical Multistage Centrifugal In-line Pumps

Dimensions and weights-SB45

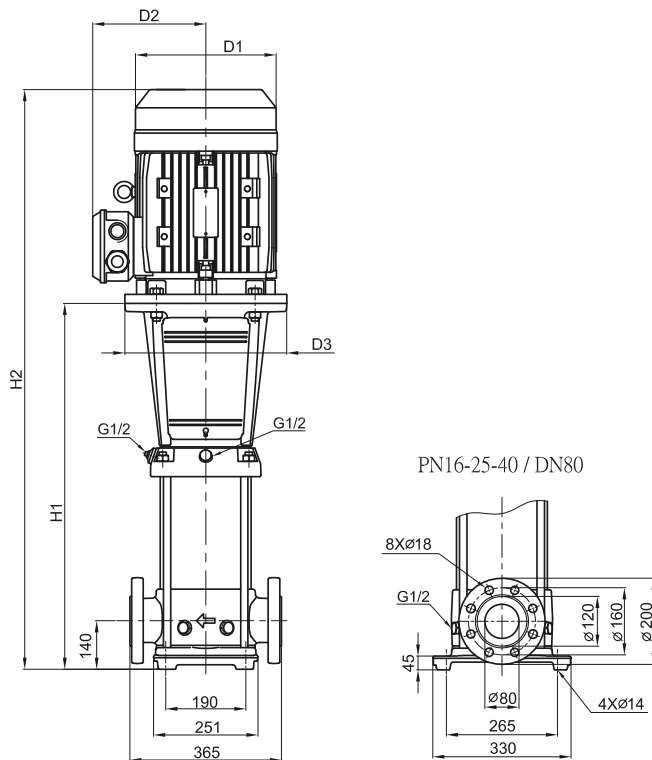


| Pump type | Motor | SB | | | | | Net weight [kg] |
|------------|---------------------|---------------|------|------------|-----|-----|-----------------|
| | | Dimension[mm] | | | D1 | D2 | |
| | P ₂ [kW] | DIN flange | | DIN flange | | | |
| SB 45-1-1 | 3 | 561 | 877 | 197 | 147 | 280 | 91.7 |
| SB 45-1 | 4 | 561 | 887 | 220 | 161 | 280 | 95.1 |
| SB 45-2-2 | 5.5 | 641 | 1003 | 235 | 197 | 300 | 118.3 |
| SB 45-2 | 7.5 | 641 | 1039 | 235 | 197 | 300 | 124.6 |
| SB 45-3-2 | 11 | 831 | 1336 | 318 | 245 | 350 | 169.0 |
| SB 45-3 | 11 | 831 | 1336 | 318 | 245 | 350 | 169.0 |
| SB 45-4-2 | 15 | 911 | 1421 | 318 | 245 | 350 | 182.9 |
| SB 45-4 | 15 | 911 | 1421 | 318 | 245 | 350 | 182.9 |
| SB 45-5-2 | 18.5 | 991 | 1541 | 318 | 245 | 350 | 211.6 |
| SB 45-5 | 18.5 | 991 | 1541 | 318 | 245 | 350 | 211.6 |
| SB 45-6-2 | 22 | 1071 | 1651 | 358 | 265 | 350 | 258.1 |
| SB 45-6 | 22 | 1071 | 1651 | 358 | 265 | 350 | 258.1 |
| SB 45-7-2 | 30 | 1151 | 1811 | 420 | 295 | 400 | 326.4 |
| SB 45-7 | 30 | 1151 | 1811 | 420 | 295 | 400 | 326.5 |
| SB 45-8-2 | 30 | 1231 | 1891 | 420 | 295 | 400 | 330.2 |
| SB 45-8 | 30 | 1231 | 1891 | 420 | 295 | 400 | 331.3 |
| SB 45-9-2 | 30 | 1311 | 1971 | 420 | 295 | 400 | 334.0 |
| SB 45-9 | 37 | 1311 | 1971 | 420 | 295 | 400 | 347.0 |
| SB 45-10-2 | 37 | 1391 | 2051 | 420 | 295 | 400 | 350.7 |
| SB 45-10 | 37 | 1391 | 2051 | 420 | 295 | 400 | 350.7 |
| SB 45-11-2 | 45 | 1471 | 2161 | 470 | 325 | 450 | 412.5 |
| SB 45-11 | 45 | 1471 | 2161 | 470 | 325 | 450 | 412.5 |
| SB 45-12-2 | 45 | 1551 | 2241 | 470 | 325 | 450 | 416.2 |
| SB 45-12 | 45 | 1551 | 2241 | 470 | 325 | 450 | 416.2 |
| SB 45-13-2 | 45 | 1631 | 2321 | 470 | 325 | 450 | 419.9 |

Technical data

Vertical Multistage Centrifugal In-line Pumps

Dimensions and weights-SBI,SBN45

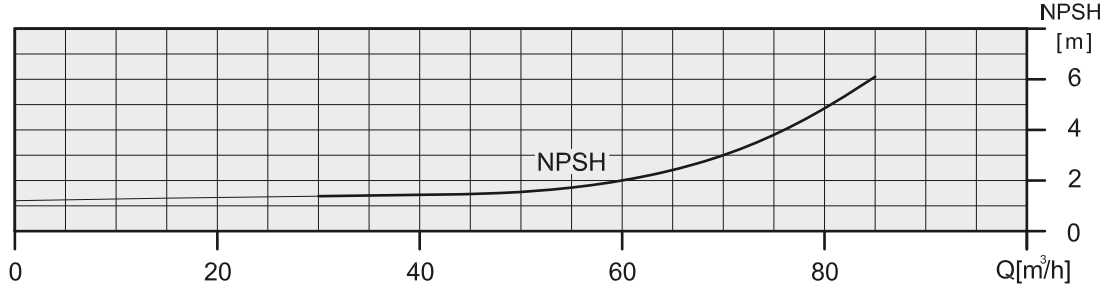
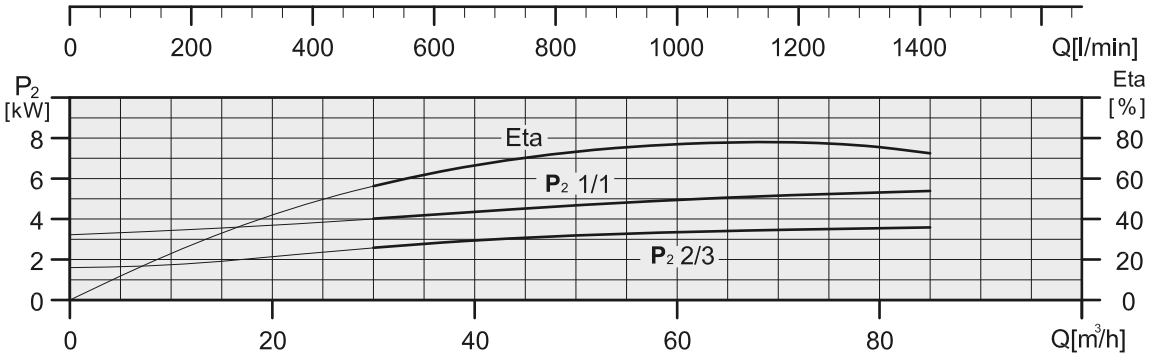
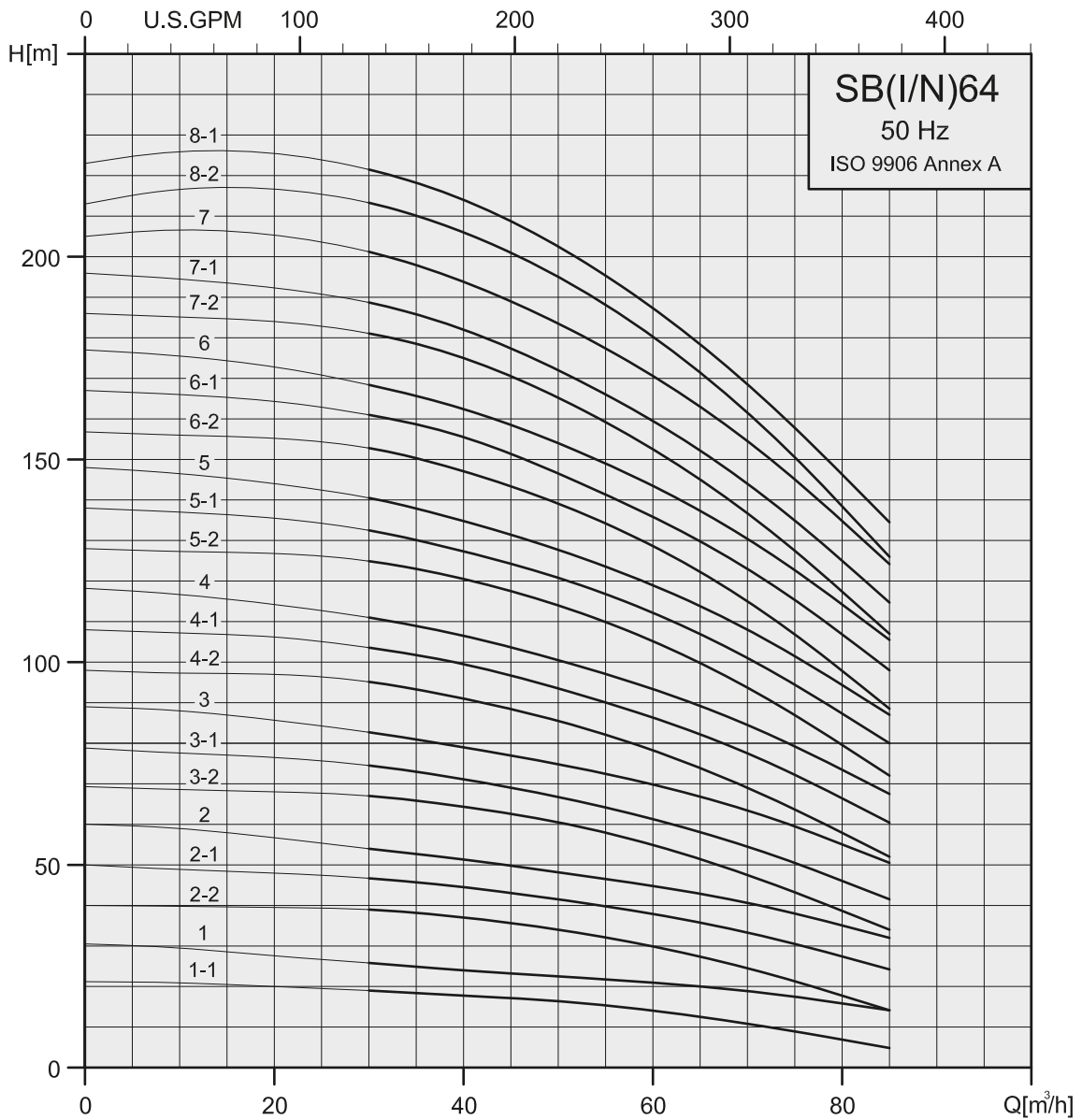


| Pump type | Motor | SBI,SBN | | | | | Net weight [kg] |
|-----------------|---------------------|---------------|------|-----|-----|-----|-----------------|
| | | Dimension[mm] | | | | | |
| | P ₂ [kW] | DIN flange | | D1 | D2 | D3 | DIN flange |
| | | H1 | H2 | | | | |
| SBI,SBN45-1-1 | 3 | 559 | 875 | 197 | 147 | 280 | 82.9 |
| SBI,SBN 45-1 | 4 | 559 | 885 | 220 | 161 | 280 | 86.3 |
| SBI,SBN 45-2-2 | 5.5 | 639 | 1001 | 235 | 197 | 300 | 109.5 |
| SBI,SBN 45-2 | 7.5 | 639 | 1037 | 235 | 197 | 300 | 115.8 |
| SBI,SBN 45-3-2 | 11 | 829 | 1334 | 318 | 245 | 350 | 160.2 |
| SBI,SBN 45-3 | 11 | 829 | 1334 | 318 | 245 | 350 | 160.2 |
| SBI,SBN 45-4-2 | 15 | 909 | 1419 | 318 | 245 | 350 | 174.1 |
| SBI,SBN 45-4 | 15 | 909 | 1419 | 318 | 245 | 350 | 174.1 |
| SBI,SBN 45-5-2 | 18.5 | 989 | 1539 | 318 | 245 | 350 | 202.8 |
| SBI,SBN 45-5 | 18.5 | 989 | 1539 | 318 | 245 | 350 | 202.8 |
| SBI,SBN 45-6-2 | 22 | 1069 | 1649 | 358 | 265 | 350 | 249.3 |
| SBI,SBN 45-6 | 22 | 1069 | 1649 | 358 | 265 | 350 | 249.3 |
| SBI,SBN 45-7-2 | 30 | 1149 | 1809 | 420 | 295 | 400 | 317.7 |
| SBI,SBN 45-7 | 30 | 1149 | 1809 | 420 | 295 | 400 | 317.7 |
| SBI,SBN 45-8-2 | 30 | 1229 | 1889 | 420 | 295 | 400 | 321.4 |
| SBI,SBN 45-8 | 30 | 1229 | 1889 | 420 | 295 | 400 | 321.5 |
| SBI,SBN 45-9-2 | 30 | 1309 | 1969 | 420 | 295 | 400 | 325.2 |
| SBI,SBN 45-9 | 37 | 1309 | 1969 | 420 | 295 | 400 | 338.2 |
| SBI,SBN 45-10-2 | 37 | 1389 | 2049 | 420 | 295 | 400 | 341.9 |
| SBI,SBN 45-10 | 37 | 1389 | 2049 | 420 | 295 | 400 | 341.9 |
| SBI,SBN 45-11-2 | 45 | 1469 | 2159 | 470 | 325 | 450 | 403.7 |
| SBI,SBN 45-11 | 45 | 1469 | 2159 | 470 | 325 | 450 | 403.7 |
| SBI,SBN 45-12-2 | 45 | 1549 | 2239 | 470 | 325 | 450 | 407.4 |
| SBI,SBN 45-12 | 45 | 1549 | 2239 | 470 | 325 | 450 | 407.4 |
| SBI,SBN 45-13-2 | 45 | 1629 | 2319 | 470 | 325 | 450 | 411.1 |

Technical data

Vertical Multistage Centrifugal In-line Pumps

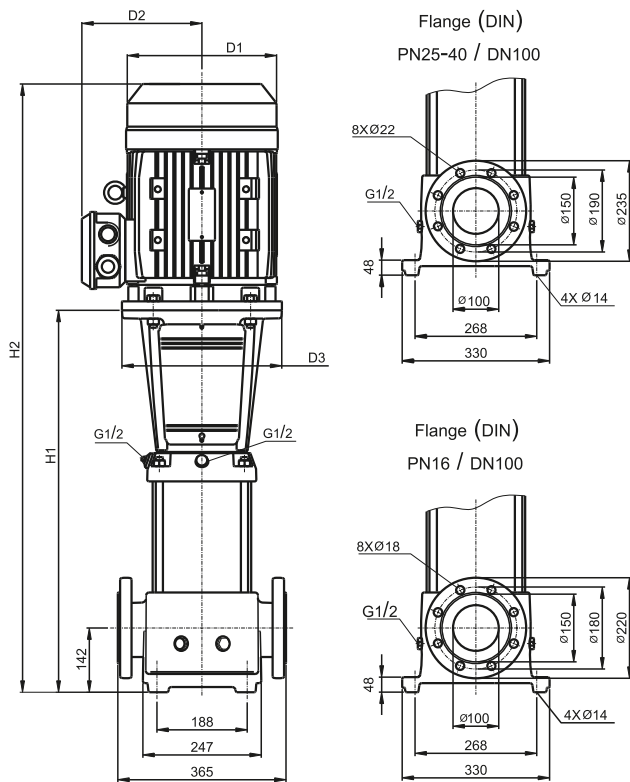
SB, SBI, SBN 64



Technical data

Vertical Multistage Centrifugal In-line Pumps

Dimensions and weights-SB-64

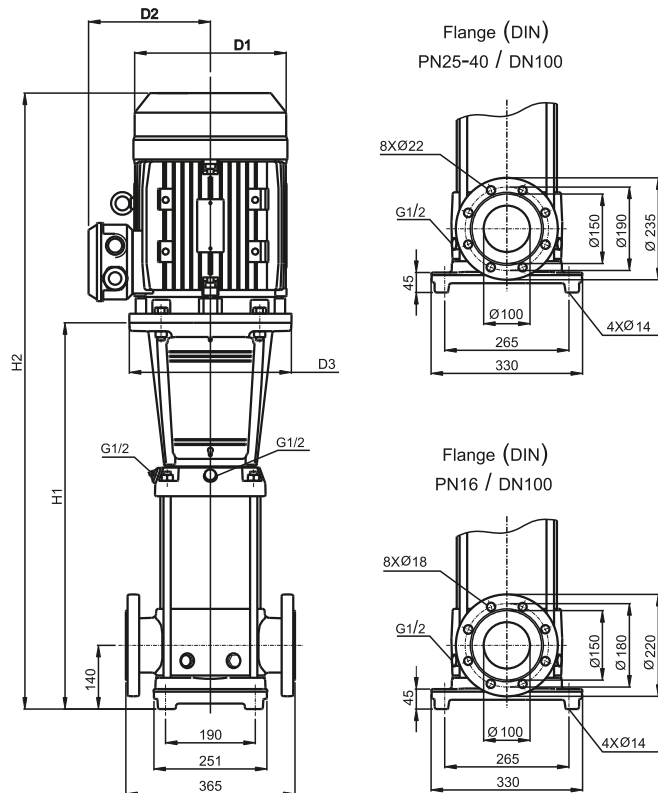


| Pump type | Motor P ₂ [kW] | SB | | | | | Net weight [kg] DIN flange | |
|-----------|---------------------------------|---------------|------|-----|-----|-----|----------------------------------|----|
| | | Dimension[mm] | | | D1 | D2 | | D3 |
| | | DIN flange | | | | | | |
| H1 | H2 | | | | | | | |
| SB 64-1-1 | 4 | 563 | 889 | 220 | 161 | 280 | 88.9 | |
| SB 64-1 | 5.5 | 563 | 613 | 235 | 197 | 300 | 108.3 | |
| SB 64-2-2 | 7.5 | 646 | 702 | 235 | 197 | 300 | 118.7 | |
| SB 64-2-1 | 11 | 756 | 1261 | 318 | 245 | 350 | 159.3 | |
| SB 64-2 | 11 | 756 | 1261 | 318 | 245 | 350 | 159.3 | |
| SB 64-3-2 | 15 | 838 | 1348 | 318 | 245 | 350 | 174.0 | |
| SB 64-3-1 | 15 | 838 | 1348 | 318 | 245 | 350 | 174.0 | |
| SB 64-3 | 18.5 | 838 | 1388 | 318 | 245 | 350 | 198.9 | |
| SB 64-4-2 | 18.5 | 921 | 1471 | 318 | 245 | 350 | 202.9 | |
| SB 64-4-1 | 22 | 921 | 1501 | 358 | 265 | 350 | 245.7 | |
| SB 64-4 | 22 | 921 | 1501 | 358 | 265 | 350 | 245.7 | |
| SB 64-5-2 | 30 | 1003 | 1663 | 420 | 295 | 400 | 314.3 | |
| SB 64-5-1 | 30 | 1003 | 1663 | 420 | 295 | 400 | 314.3 | |
| SB 64-5 | 30 | 1003 | 1663 | 420 | 295 | 400 | 314.3 | |
| SB 64-6-2 | 30 | 1086 | 1746 | 420 | 295 | 400 | 318.2 | |
| SB 64-6-1 | 37 | 1086 | 1746 | 420 | 295 | 400 | 331.2 | |
| SB 64-6 | 37 | 1086 | 1746 | 420 | 295 | 400 | 331.2 | |
| SB 64-7-2 | 37 | 1168 | 1828 | 420 | 295 | 400 | 335.3 | |
| SB 64-7-1 | 37 | 1168 | 1828 | 420 | 295 | 400 | 335.3 | |
| SB 64-7 | 45 | 1172 | 1862 | 470 | 325 | 450 | 393.4 | |
| SB 64-8-2 | 45 | 1255 | 1945 | 470 | 325 | 450 | 397.5 | |
| SB 64-8-1 | 45 | 1255 | 1945 | 470 | 325 | 450 | 397.5 | |

Technical data

Vertical Multistage Centrifugal In-line Pumps

Dimensions and weights-SB(I/N)-64

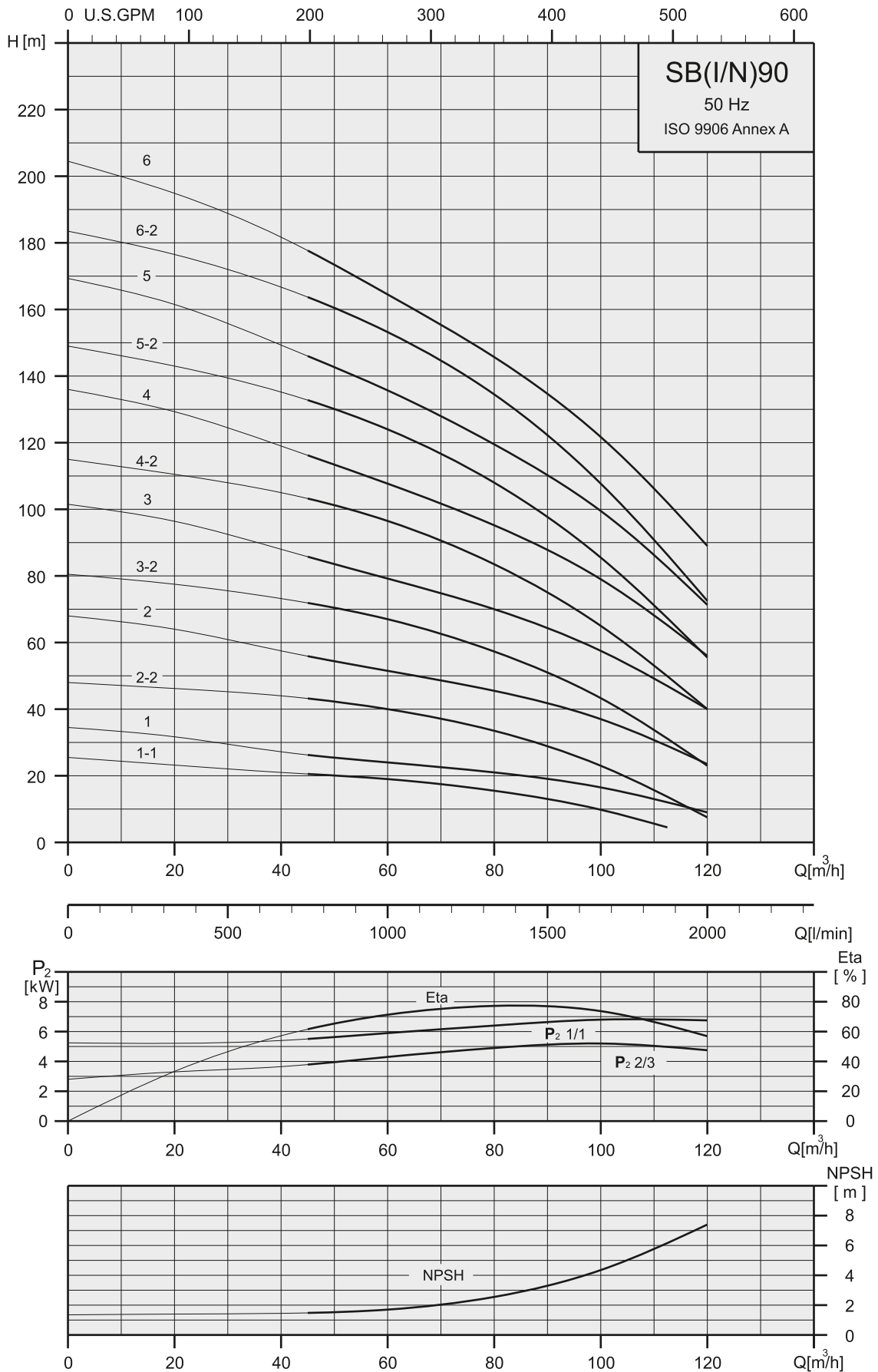


| Pump type | Motor P ₂ [kW] | SBI, SBN | | | | | Net weight [kg] DIN flange | |
|-----------------|---------------------------------|------------|------|-----|----------------|-----|----------------------------------|--|
| | | DIN flange | | | Dimension [mm] | | | |
| | | H1 | H2 | D1 | D2 | D3 | | |
| SBI, SBN 64-1-1 | 4 | 563 | 889 | 220 | 161 | 280 | 81.8 | |
| SBI, SBN 64-1 | 5.5 | 563 | 613 | 235 | 197 | 300 | 101.3 | |
| SBI, SBN 64-2-2 | 7.5 | 646 | 702 | 235 | 197 | 300 | 111.7 | |
| SBI, SBN 64-2-1 | 11 | 756 | 1261 | 318 | 245 | 350 | 152.3 | |
| SBI, SBN 64-2 | 11 | 756 | 1261 | 318 | 245 | 350 | 152.3 | |
| SBI, SBN 64-3-2 | 15 | 838 | 1348 | 318 | 245 | 350 | 166.5 | |
| SBI, SBN 64-3-1 | 15 | 838 | 1348 | 318 | 245 | 350 | 166.5 | |
| SBI, SBN 64-3 | 18.5 | 838 | 1388 | 318 | 245 | 350 | 191.4 | |
| SBI, SBN 64-4-2 | 18.5 | 921 | 1471 | 318 | 245 | 350 | 195.4 | |
| SBI, SBN 64-4-1 | 22 | 921 | 1501 | 358 | 265 | 350 | 238.1 | |
| SBI, SBN 64-4 | 22 | 921 | 1501 | 358 | 265 | 350 | 238.1 | |
| SBI, SBN 64-5-2 | 30 | 1003 | 1663 | 420 | 295 | 400 | 306.7 | |
| SBI, SBN 64-5-1 | 30 | 1003 | 1663 | 420 | 295 | 400 | 306.7 | |
| SBI, SBN 64-5 | 30 | 1003 | 1663 | 420 | 295 | 400 | 306.7 | |
| SBI, SBN 64-6-2 | 30 | 1086 | 1746 | 420 | 295 | 400 | 310.7 | |
| SBI, SBN 64-6-1 | 37 | 1086 | 1746 | 420 | 295 | 400 | 323.7 | |
| SBI, SBN 64-6 | 37 | 1086 | 1746 | 420 | 295 | 400 | 323.7 | |
| SBI, SBN 64-7-2 | 37 | 1168 | 1828 | 420 | 295 | 400 | 327.7 | |
| SBI, SBN 64-7-1 | 37 | 1168 | 1828 | 420 | 295 | 400 | 327.7 | |
| SBI, SBN 64-7 | 45 | 1172 | 1862 | 470 | 325 | 450 | 385.8 | |
| SBI, SBN 64-8-2 | 45 | 1255 | 1945 | 470 | 325 | 450 | 390.0 | |
| SBI, SBN 64-8-1 | 45 | 1255 | 1945 | 470 | 325 | 450 | 390.0 | |

Technical data

Vertical Multistage Centrifugal In-line Pumps

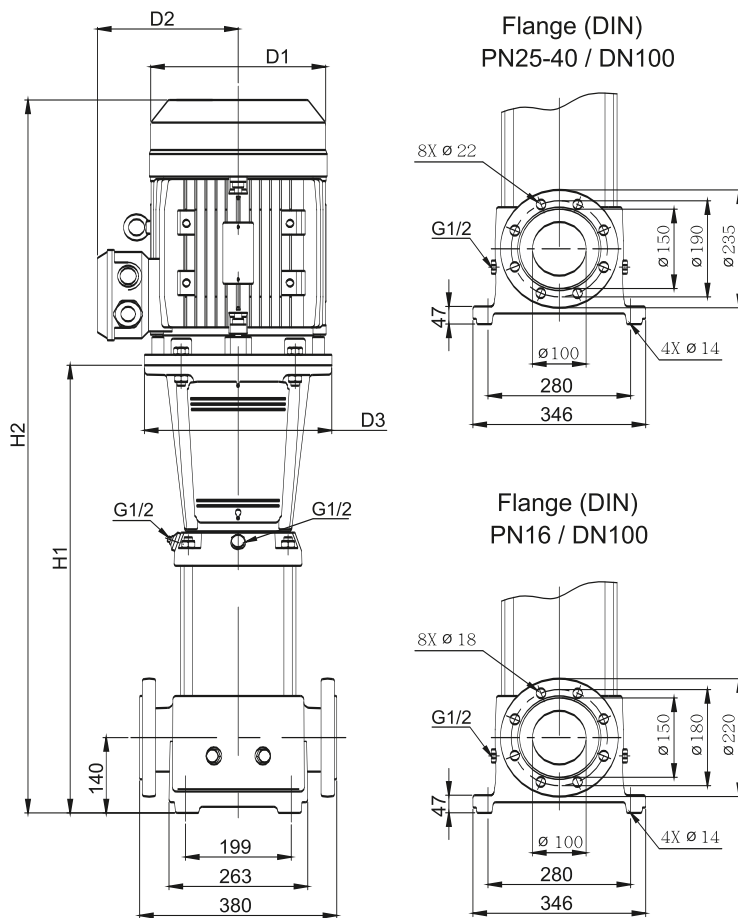
SB, SBI, SBN 90



Technical data

Vertical Multistage Centrifugal In-line Pumps

Dimensions and weights-SB90

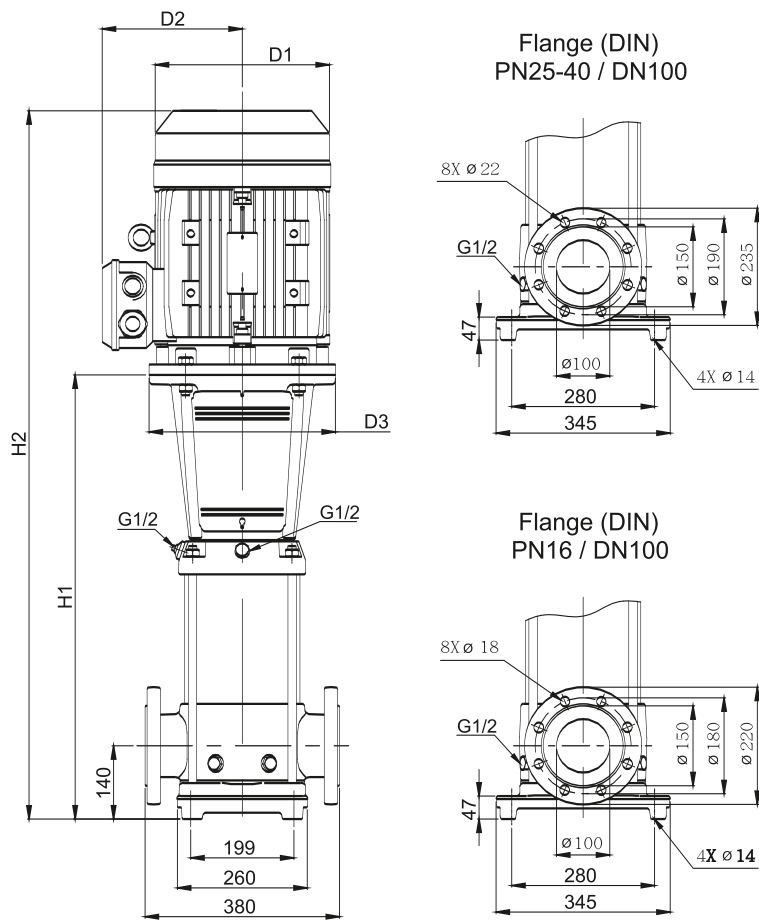


| Pump type | Motor P ₂ [kW] | SB | | | | | Net weight [kg] DIN flange |
|-----------|---------------------------------|---------------|------|-----|-----|-----|----------------------------------|
| | | Dimension[mm] | | | | | |
| | | DIN flange | | D1 | D2 | D3 | |
| | | H1 | H2 | | | | |
| SB 90-1-1 | 5.5 | 572 | 934 | 235 | 197 | 300 | 122.2 |
| SB 90-1 | 7.5 | 572 | 970 | 235 | 197 | 300 | 128.5 |
| SB 90-2-2 | 11 | 774 | 1279 | 318 | 245 | 350 | 174.4 |
| SB 90-2 | 15 | 774 | 1284 | 318 | 245 | 350 | 184.5 |
| SB 90-3-2 | 18.5 | 866 | 1416 | 318 | 245 | 350 | 214.7 |
| SB 90-3 | 22 | 866 | 1446 | 358 | 265 | 350 | 257.5 |
| SB 90-4-2 | 30 | 958 | 1618 | 420 | 295 | 400 | 327.3 |
| SB 90-4 | 30 | 958 | 1618 | 420 | 295 | 400 | 327.3 |
| SB 90-5-2 | 37 | 1050 | 1710 | 420 | 295 | 400 | 346.9 |
| SB 90-5 | 37 | 1050 | 1710 | 420 | 295 | 400 | 346.9 |
| SB 90-6-2 | 45 | 1142 | 1832 | 470 | 325 | 450 | 410.2 |
| SB 90-6 | 45 | 1142 | 1832 | 470 | 325 | 450 | 410.3 |

Technical data

Vertical Multistage Centrifugal In-line Pumps

Dimensions and weights-SBI,SBN90

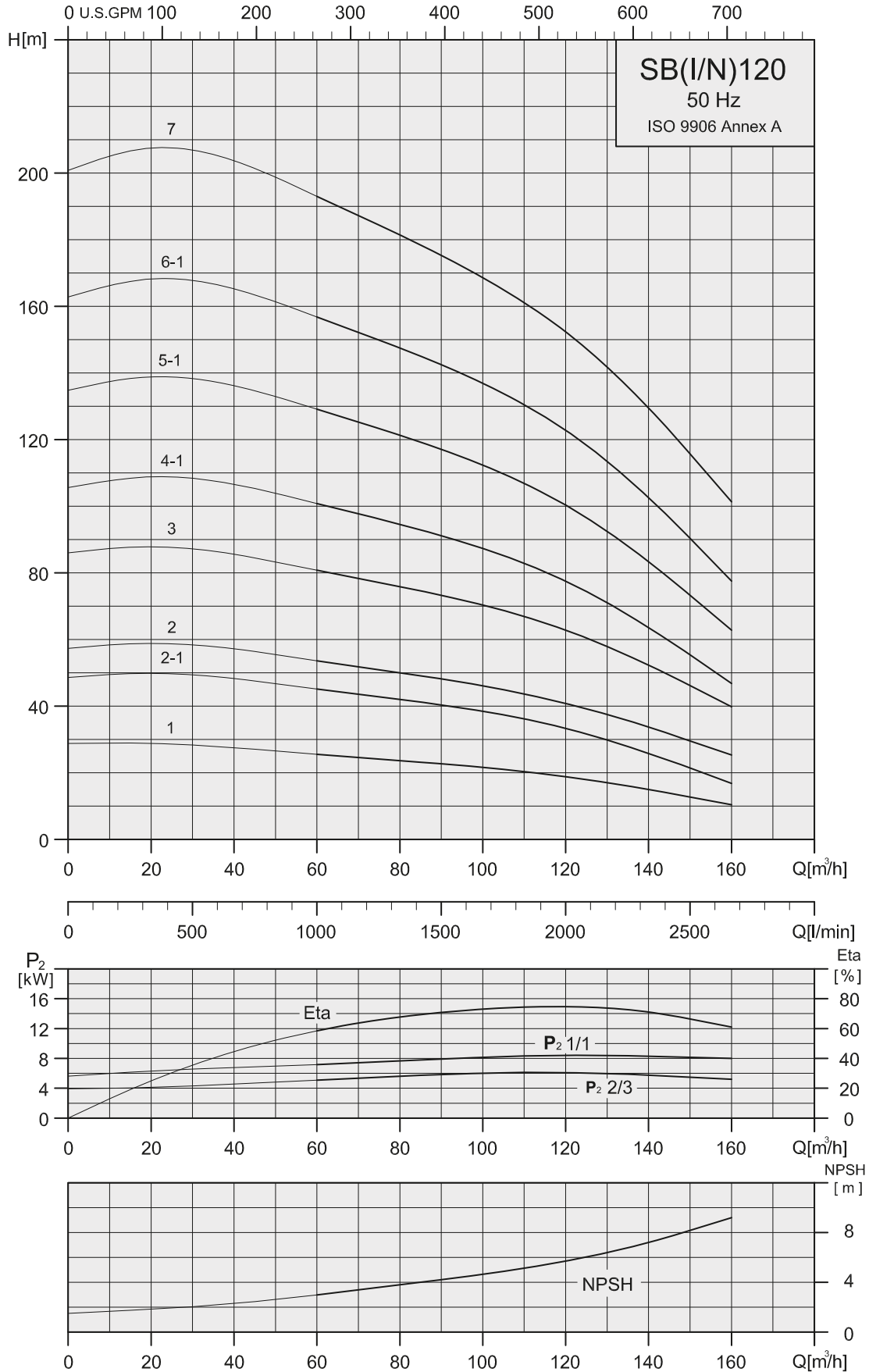


| Pump type | Motor | SBI,SBN | | | | | Net weight [kg] |
|----------------|---------------------|---------------|------|------------|-----|-----|-----------------|
| | | Dimension[mm] | | | D1 | D2 | |
| | P ₂ [kW] | DIN flange | | DIN flange | | | |
| | | H1 | H2 | | | | |
| SBI,SBN 90-1-1 | 5.5 | 576 | 938 | 235 | 197 | 300 | 112.1 |
| SBI,SBN 90-1 | 7.5 | 576 | 974 | 235 | 197 | 300 | 118.4 |
| SBI,SBN 90-2-2 | 11 | 778 | 1283 | 318 | 245 | 350 | 164.2 |
| SBI,SBN 90-2 | 15 | 778 | 1288 | 318 | 245 | 350 | 174.3 |
| SBI,SBN 90-3-2 | 18.5 | 870 | 1420 | 318 | 245 | 350 | 204.4 |
| SBI,SBN 90-3 | 22 | 870 | 1450 | 358 | 265 | 350 | 247.2 |
| SBI,SBN 90-4-2 | 30 | 962 | 1622 | 420 | 295 | 400 | 316.9 |
| SBI,SBN 90-4 | 30 | 962 | 1622 | 420 | 295 | 400 | 316.9 |
| SBI,SBN 90-5-2 | 37 | 1054 | 1714 | 420 | 295 | 400 | 336.9 |
| SBI,SBN 90-5 | 37 | 1054 | 1714 | 420 | 295 | 400 | 337.0 |
| SBI,SBN 90-6-2 | 45 | 1146 | 1836 | 470 | 325 | 450 | 400.0 |
| SBI,SBN 90-6 | 45 | 1146 | 1836 | 470 | 325 | 450 | 400.1 |

Technical data

Vertical Multistage Centrifugal In-line Pumps

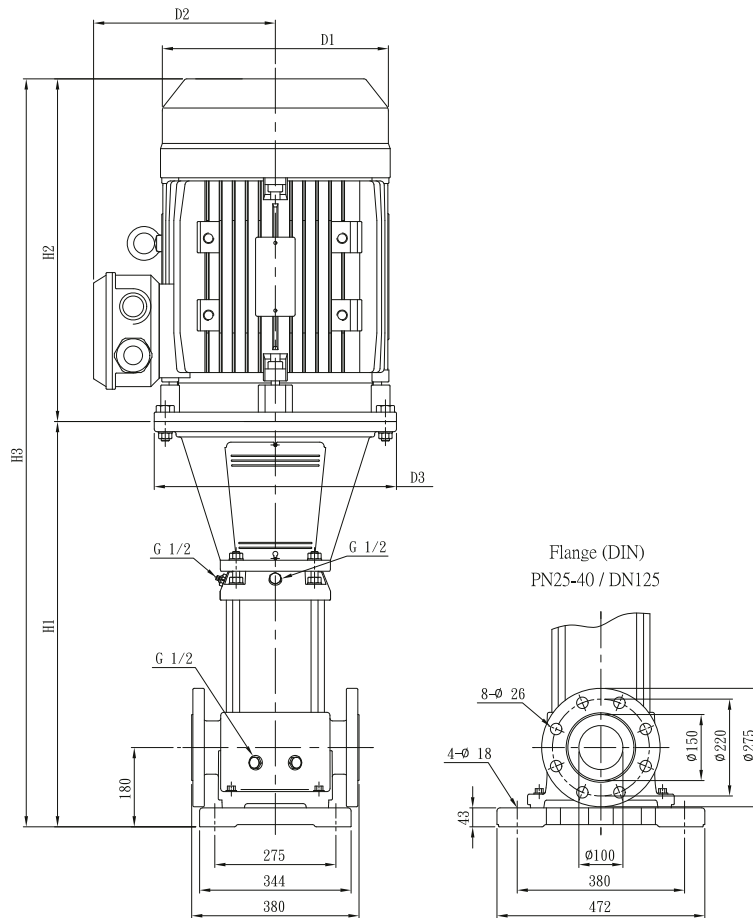
SB, SBI, SBN 120



Technical data

Vertical Multistage Centrifugal In-line Pumps

Dimensions and weights-SB 120

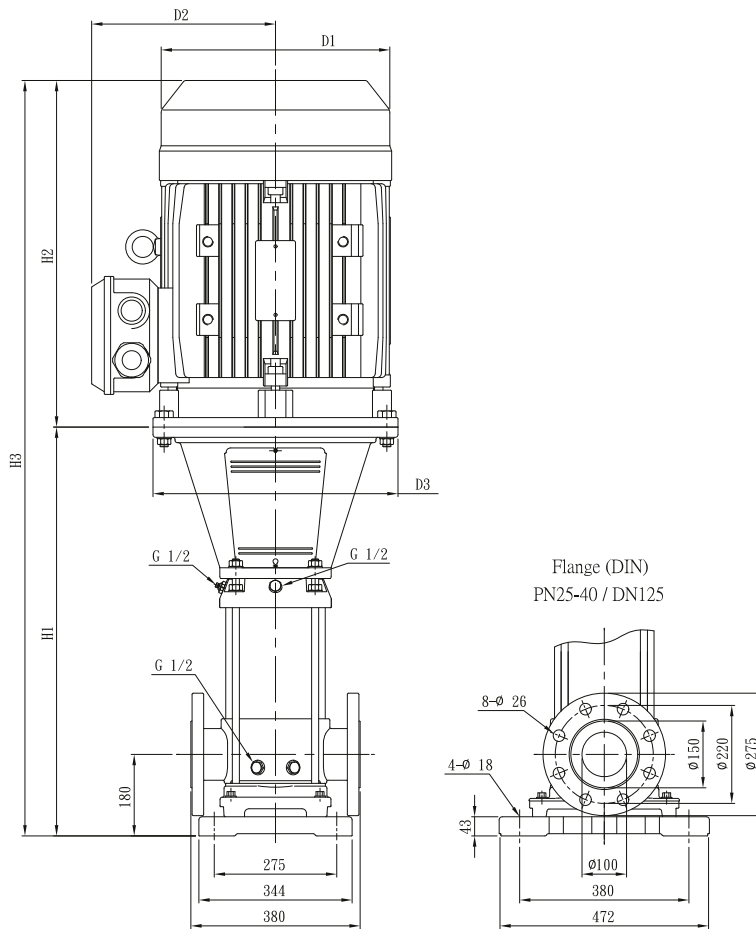


| Pump type | Motor | SB | | | | | | Net weight [kg] |
|------------|------------------------|----------------|-----|------|-----|-----|-----|-----------------|
| | | Dimension [mm] | | | | | | |
| | P ₂ [kW] | DIN flange | | | D1 | D2 | D3 | DIN flange |
| | | H1 | H2 | H3 | | | | |
| SB 120-1-1 | 11 | 834 | 505 | 1339 | 318 | 245 | 350 | 200.1 |
| SB 120-2-1 | 18.5 | 990 | 550 | 1540 | 318 | 245 | 350 | 245.1 |
| SB 120-2 | 22 | 990 | 580 | 1570 | 358 | 265 | 350 | 291.8 |
| SB 120-3 | 30 | 1145 | 660 | 1805 | 420 | 295 | 400 | 362.5 |
| SB 120-4-1 | 37 | 1301 | 660 | 1961 | 420 | 295 | 400 | 385.5 |
| SB 120-5-1 | 45 | 1460 | 690 | 2150 | 470 | 325 | 450 | 453.6 |
| SB 120-6-1 | 55 | 1642 | 770 | 2412 | 510 | 355 | 550 | 578.8 |
| SB 120-7 | 75 | 1797 | 845 | 2642 | 580 | 410 | 550 | 751.4 |

Technical data

Vertical Multistage Centrifugal In-line Pumps

Dimensions and weights-SBI,SBN120

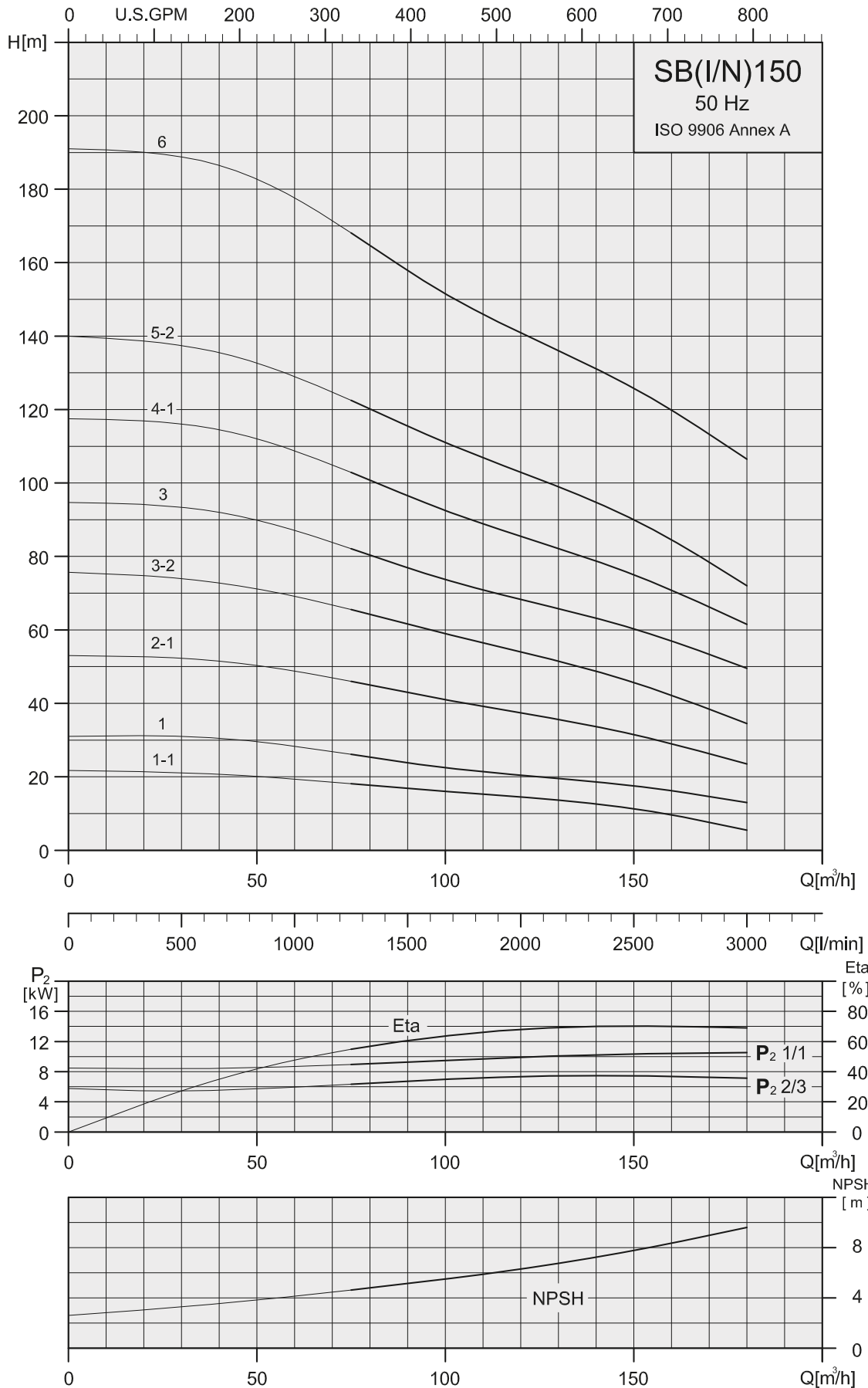


| Pump type | Motor | SBI,SBN | | | | | | Net weight [kg] |
|-----------------|------------------------|---------------|-----|------|-----|-----|-----|-----------------|
| | | Dimension[mm] | | | | | | |
| | P ₂ [kW] | DIN flange | | | D1 | D2 | D3 | DIN flange |
| | | H1 | H2 | H3 | | | | |
| SBI,SBN 120-1-1 | 11 | 837 | 505 | 1342 | 318 | 245 | 350 | 184.3 |
| SBI,SBN 120-2-1 | 18.5 | 993 | 550 | 1543 | 318 | 245 | 350 | 229.5 |
| SBI,SBN 120-2 | 22 | 993 | 580 | 1573 | 358 | 265 | 350 | 276.1 |
| SBI,SBN 120-3 | 30 | 1149 | 660 | 1809 | 420 | 295 | 400 | 346.9 |
| SBI,SBN 120-4-1 | 37 | 1304 | 660 | 1964 | 420 | 295 | 400 | 370.1 |
| SBI,SBN 120-5-1 | 45 | 1463 | 690 | 2153 | 470 | 325 | 450 | 438.3 |
| SBI,SBN 120-6-1 | 55 | 1645 | 770 | 2415 | 510 | 355 | 550 | 563.8 |
| SBI,SBN 120-7 | 75 | 1800 | 845 | 2645 | 580 | 410 | 550 | 736.5 |

Technical data

Vertical Multistage Centrifugal In-line Pumps

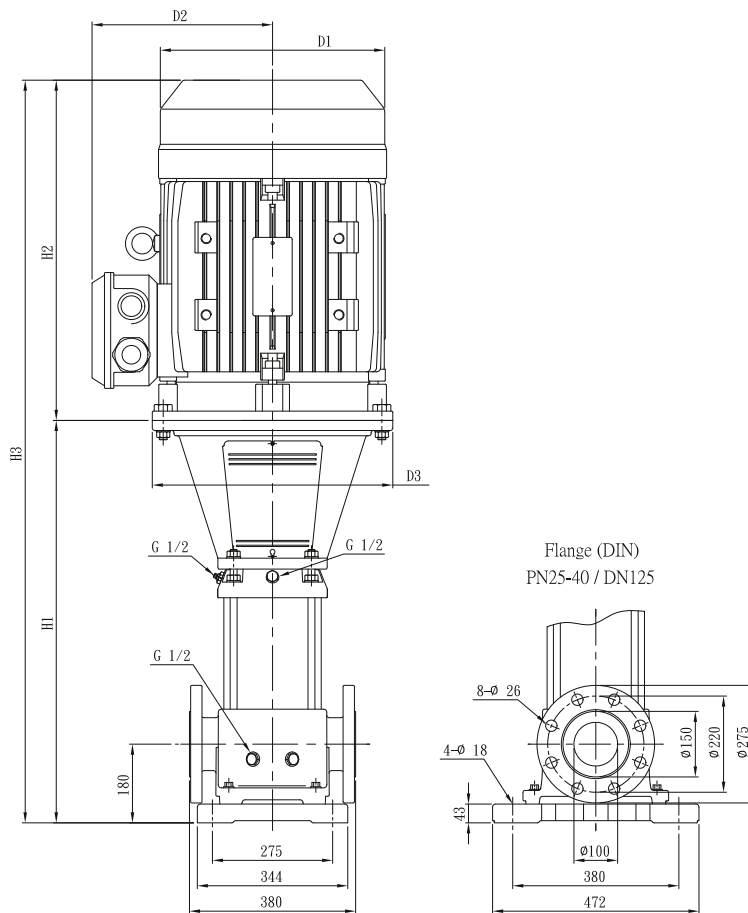
SB, SBI, SBN 150



Technical data

Vertical Multistage Centrifugal In-line Pumps

Dimensions and weights-SB 150

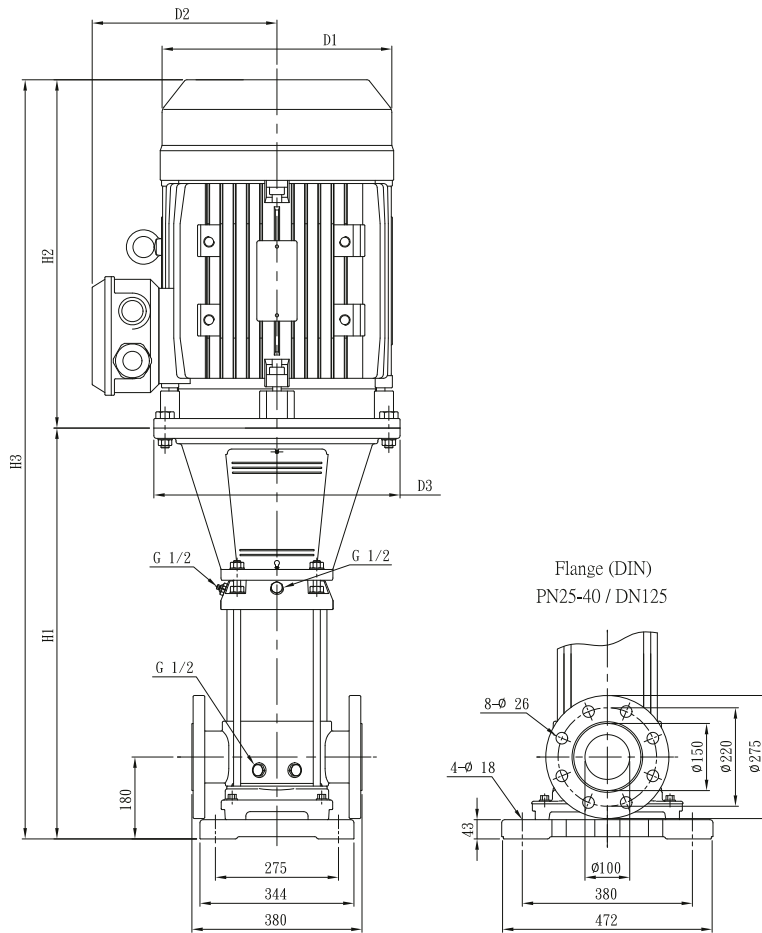


| Pump type | Motor P ₂ [kW] | SB | | | | | | Net weight [kg] DIN flange | |
|------------|---------------------------------|----------------|-----|------|-----|-----|-----|----------------------------------|----|
| | | Dimension [mm] | | | | D1 | D2 | | D3 |
| | | DIN flange | | | | | | | |
| H1 | H2 | H3 | | | | | | | |
| SB 150-1-1 | 11 | 834 | 505 | 1339 | 318 | 245 | 350 | 200.0 | |
| SB 150-1 | 15 | 834 | 510 | 1344 | 318 | 245 | 350 | 210.1 | |
| SB 150-2-1 | 22 | 990 | 580 | 1570 | 358 | 265 | 350 | 287.8 | |
| SB 150-3-2 | 30 | 1145 | 660 | 1805 | 420 | 295 | 400 | 362.3 | |
| SB 150-3 | 37 | 1145 | 660 | 1805 | 420 | 295 | 400 | 375.4 | |
| SB 150-4-1 | 45 | 1305 | 690 | 1995 | 470 | 325 | 450 | 443.4 | |
| SB 150-5-2 | 55 | 1486 | 770 | 2256 | 510 | 355 | 550 | 568.7 | |
| SB 150-6 | 75 | 1642 | 845 | 2487 | 580 | 410 | 550 | 741.0 | |

Technical data

Vertical Multistage Centrifugal In-line Pumps

Dimensions and weights-SBI,SBN150



| Pump type | Motor | SBI,SBN | | | | | | Net weight [kg] |
|-----------------|------------------------|---------------|-----|------|-----|-----|-----|-----------------|
| | | Dimension[mm] | | | | | | |
| | P ₂ [kW] | DIN flange | | | D1 | D2 | D3 | DIN flange |
| | | H1 | H2 | H3 | | | | |
| SBI,SBN 150-1-1 | 11 | 837 | 505 | 1342 | 318 | 245 | 350 | 173.4 |
| SBI,SBN 150-1 | 15 | 837 | 510 | 1347 | 318 | 245 | 350 | 183.5 |
| SBI,SBN 150-2-1 | 22 | 993 | 580 | 1573 | 358 | 265 | 350 | 271.6 |
| SBI,SBN 150-3-2 | 30 | 1148 | 660 | 1808 | 420 | 295 | 400 | 346.2 |
| SBI,SBN 150-3 | 37 | 1148 | 660 | 1808 | 420 | 295 | 400 | 359.2 |
| SBI,SBN 150-4-1 | 45 | 1308 | 690 | 1998 | 470 | 325 | 450 | 427.4 |
| SBI,SBN 150-5-2 | 55 | 1489 | 770 | 2259 | 510 | 355 | 550 | 552.8 |
| SBI,SBN 150-6 | 75 | 1645 | 845 | 2490 | 580 | 410 | 550 | 725.5 |

Technical data

Vertical Multistage Centrifugal In-line Pumps

Pumped Liquids

SB (I, N) pumps can handle a wide variety of liquids, each with its own characteristic.

SB(I)

Non-corrosive liquids

For fluid transfer, circulation and pressure boosting of cold or hot clean water.

SBN

Industrial liquids

Light acids

The fluids covered in the list are not complete. Data on the application limits of different pump materials when handling any of the listed fluids are considered to be the best choices. However, the table is intended as a general guide only, and cannot replace actual testing of the pumped fluids and pump materials under specific working conditions.

When choosing the pump version, sufficient attention should be given to the flow medium, such as density, solidification point, viscosity as well as ex-protection requirement. The limits of applicability of the pumps, based on pressure and temperature must also be considered.

● Recommended

| Pumped fluid | "Fluid Concentration, temperature" | SB (I) | | SBN | |
|-----------------------------------|------------------------------------|----------|-------|------|-------|
| | | EPDM | Viton | EPDM | Viton |
| Acetic acid anhydride | 25°C | | | ● | |
| Alkaline cleaner | | ● | | | |
| Aluminium sulphate | 10%, 25°C | | | | ● |
| Ammonia water (A. hydroxide) | 20%, 40°C | ● | | | |
| Ammonia hydrogen carbonate | 10%, 40°C | ● | | ● | |
| Benzoic acid | 10%, 90°C | | | | ● |
| Boric acid | Unsaturated solution, 60°C | | | | ● |
| Butanol | 60°C | ● | | | |
| Calcium acetate | 30%, 50°C | ● | | | |
| Calcium hydroxide | Saturated solution, 50°C | ● | | | |
| Chromic acid | 1%, 20°C | | | | ● |
| Condensate | 90°C | ● | | | |
| Copper sulphate | Unsaturated solution, 60°C | | | | ● |
| Deionic (fully desalinated water) | 50°C | | | ● | |
| Ethanol | 100%, 20°C | ● | | | |
| Ethylene glycol/Diethylene glycol | 40%, 70°C | ● | ● | ● | ● |
| Fixer | 25°C | | | | ● |
| Formic acid | 5%, 20°C | | | ● | |

Technical data

Vertical Multistage Centrifugal In-line Pumps

| Pumped fluid | "Fluid Concentration, temperature" | SB (I) | | SBN | |
|------------------------------|------------------------------------|----------|-------|------|-------|
| | | EPDM | Viton | EPDM | Viton |
| Fruit juice | 50°C | | | | ● |
| Glycerine | 50%, 50°C | ● | | | |
| Heating oil (Light) | | ● | | | ● |
| Hydraulic oil | 100%, 100°C | | ● | | |
| Isopropanol | | ● | | | |
| Lactic acid | 10%, 20°C | | | | ● |
| Linoleic acid | 100%, 20°C | ● | | | |
| Linseed oil | 60°C | | ● | | |
| Liqueur | 60°C | | | | ● |
| Maize oil | 80°C | | ● | | |
| Maleic acid | 50%, 50°C | | | | ● |
| Methanol | 100%, 20°C | ● | | | |
| Motor oil | 100%, 80°C | ● | | | |
| Oil-water-mixture | 100°C | | ● | | |
| Oxalic acid | 1%, 20°C | | | ● | |
| Peanut oil | 100%, 80°C | | ● | | |
| Phosphoric acid | 20%, 20°C | | | ● | |
| Polyglycols | 90°C | | ● | | ● |
| Polyethylene glycols | 40%, 70°C | ● | | | |
| Potassium carbonate | 10%, 60°C | ● | | | |
| Potassium hydrogen carbonate | 10%, 60°C | ● | | | |
| Potassium permanganate | 5%, 20°C | | | ● | |
| Potassium sulphate | Unsaturated solution, 80°C | | | ● | |
| Rapeseed oil | 100%, 80°C | | ● | | |
| Silicone oil | 100% | | ● | | |
| Sodium carbonate | 10%, 60°C | | | ● | |
| Sodium hydroxide | 25%, 50°C | | | ● | |
| Sodium nitrate | Unsaturated solution, 80°C | | | ● | |
| Sodium phosphate | 5%, 100°C | | | ● | |
| Sodium sulphate | 10%, 60°C | | | ● | |
| Sulphuric acid | 5%, 25°C | | | | ● |
| Water | | | | | |
| Swimming pool water | 35°C | ● SBI | | ● | |
| Deionic | 50°C | | | ● | |
| Distilled water | 50°C | | | ● | |
| Decarbonated water | | | | ● | |
| Soft water | | | | ● | |
| Heating water | | | | ● | |
| Boiler water | | | | ● | |
| Pure water | | | | ● | |
| Rinsing water | | ● SBI | | ● | |



42028 Poviglio (Reggio Emilia) - Italy - Via A. Volta 5/7
Tel. +39 0522 682483 - Fax +39 0522 683262
e-mail: commerciale@cospet.it - www.cospet.it