

CIRCULATING PUMP

**WORTEX
WATER PUMPS**



water...is life!

Central heating circulation pumps

WUP 40 - WUP 60 - WUP 80

Technical data

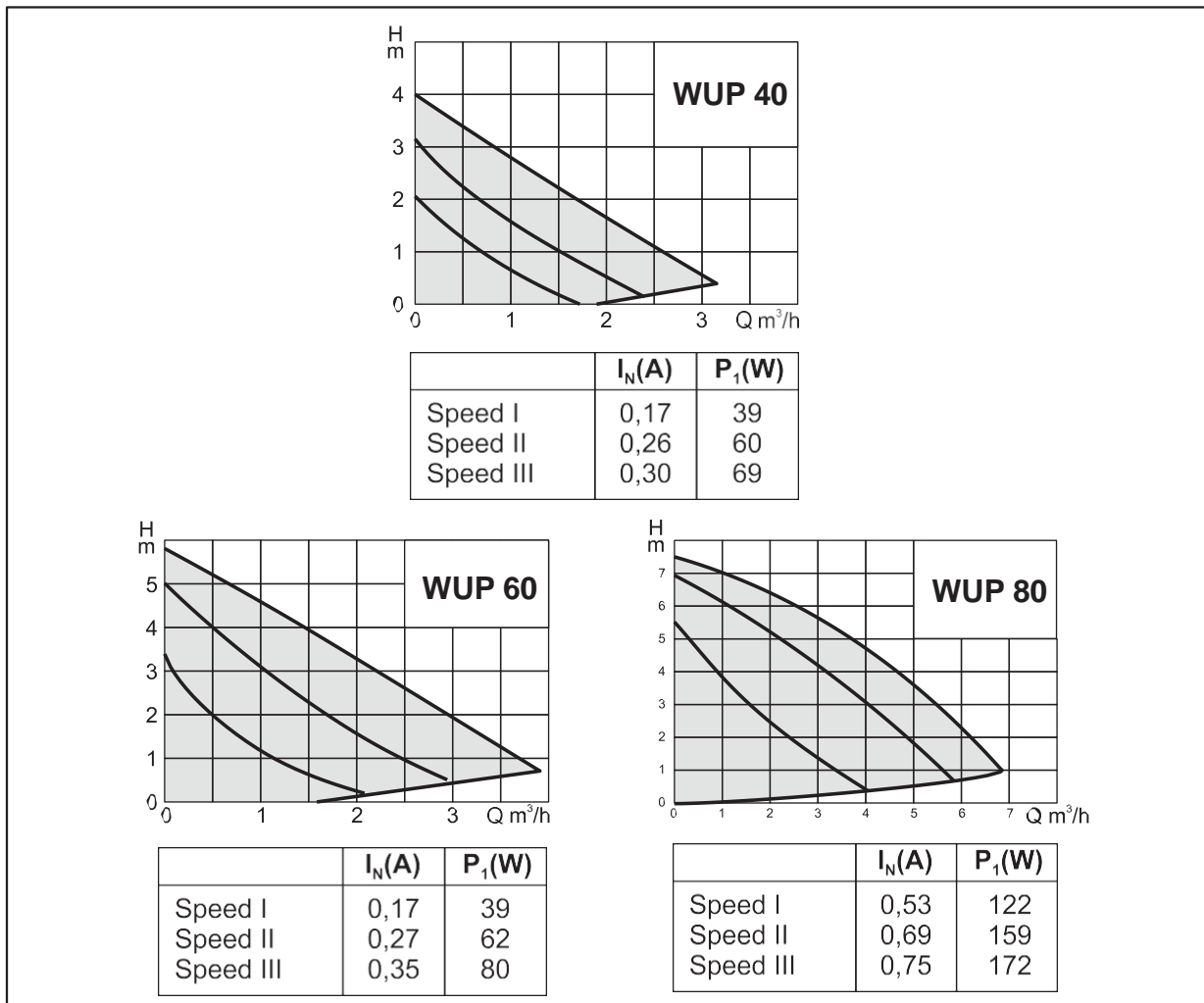
- single-phase motor with a wet rotor
- three rotational speeds
- operating voltage: 1 x 230 V~50 Hz
- max. operating pressure: 10 bar
- media temperature: 5°C to 110°C max.
- ambient temperature: 40°C max.
- protection type: IP 44
- connection: external thread GZ 1", 1 1/4", 1 1/2" (standard), 2"
- length: 180 mm (standard), 130 mm, 110 mm (brass)



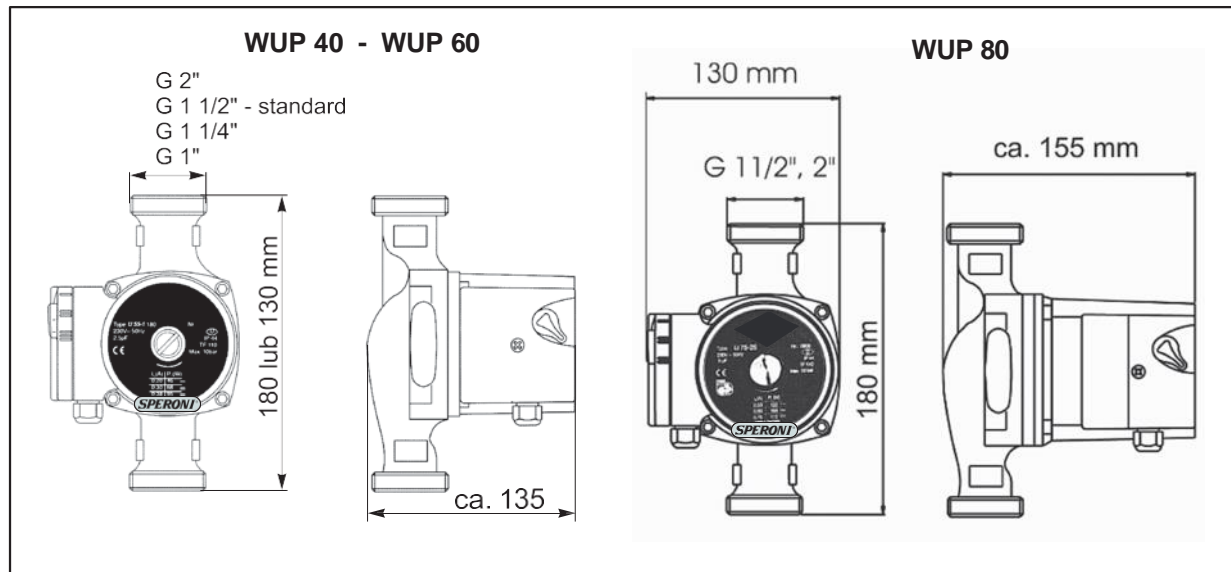
The pump has been created to pump warm water in central heating systems, however it can be used to pump liquid media in industrial and commercial usage. The pump may also be a part of a solar heating installation.

The articles are manufactured from the highest quality cast iron and chrome-nickel steel, which guarantees that the products are of high quality. The product has a ceramic bearing ring and a rotor disk made of technical polymer.

Pumps' characteristics



Dimension illustration



WUP 40

| Article | Pump body | Length (mm) | DN | External thread | H(m) | Power consumption (W) |
|---------------|-----------|-------------|----|-----------------|------|-----------------------|
| WUP 25/40-180 | Cast iron | 180 | 25 | G 1 1/2 " | 4 | 28-63 |
| WUP 15/40-130 | Cast iron | 130 | 15 | G 1 " | 4 | 28-63 |
| WUP 20/40-130 | Cast iron | 130 | 20 | G 1 1/4" | 4 | 28-63 |
| WUP 25/40-130 | Cast iron | 130 | 25 | G 1 1/2" | 4 | 28-63 |
| WUP 20/40-180 | Cast iron | 180 | 20 | G 1 1/4" | 4 | 28-63 |
| WUP 32/40-180 | Cast iron | 180 | 32 | G 2 " | 4 | 28-63 |

WUP 60

| Article | Pump body | Length (mm) | DN | External thread | H(m) | Power consumption (W) |
|---------------|-----------|-------------|----|-----------------|------|-----------------------|
| WUP 25/60-180 | Cast iron | 180 | 25 | G 1 1/2 " | 6 | 39-80 |
| WUP 15/60-130 | Cast iron | 130 | 15 | G 1 " | 6 | 39-80 |
| WUP 20/60-130 | Cast iron | 130 | 20 | G 1 1/4" | 6 | 39-80 |
| WUP 25/60-130 | Cast iron | 130 | 25 | G 1 1/2" | 6 | 39-80 |
| WUP 20/60-180 | Cast iron | 180 | 20 | G 1 1/4" | 6 | 39-80 |
| WUP 32/60-180 | Cast iron | 180 | 32 | G 2 " | 6 | 39-80 |

WUP 80

| Article | Pump body | Length (mm) | DN | External thread | H(m) | Power consumption (W) |
|---------------|-----------|-------------|----|-----------------|------|-----------------------|
| WUP 25/80-130 | Cast iron | 130 | 25 | G 1 1/2 " | 8 | 122-170 |
| WUP 32/80-130 | Cast iron | 130 | 32 | G 2 " | 8 | 122-170 |
| WUP 25/80-180 | Cast iron | 180 | 25 | G 1 1/2 " | 8 | 122-170 |
| WUP 32/80-180 | Cast iron | 180 | 32 | G 2 " | 8 | 122-170 |



Applications

The WORTEX WUPS circulators for sanitary warm water are conceived for the water circulation inside the distributing system.

The technical adopted solutions allow the solving of specific plant problems without changing the water quality.

Limits of application

- Pressure rating 5,5 bar
- Working max pressure NP 10bar
- Delivery 3,5m³/h
- Temperature liquid up to 110° C
- Recommended temperature 65° C
- Continuous service

Motor

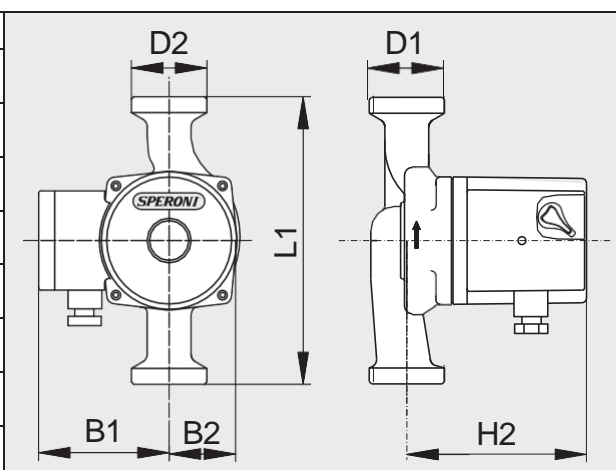
- Electric motor
- Isolation class F
- Protection IP 44

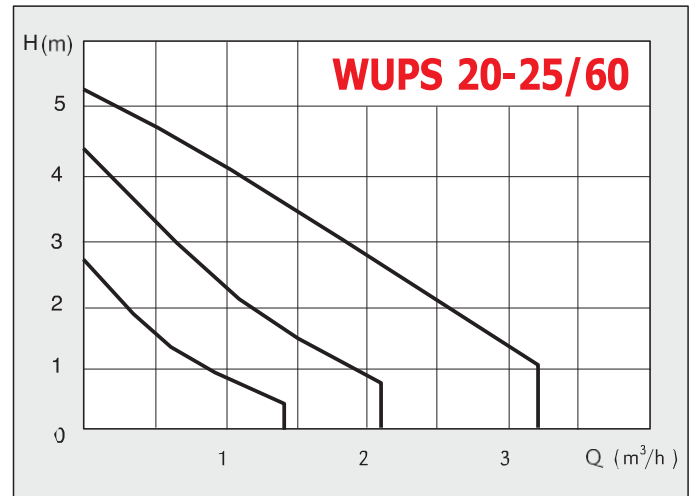
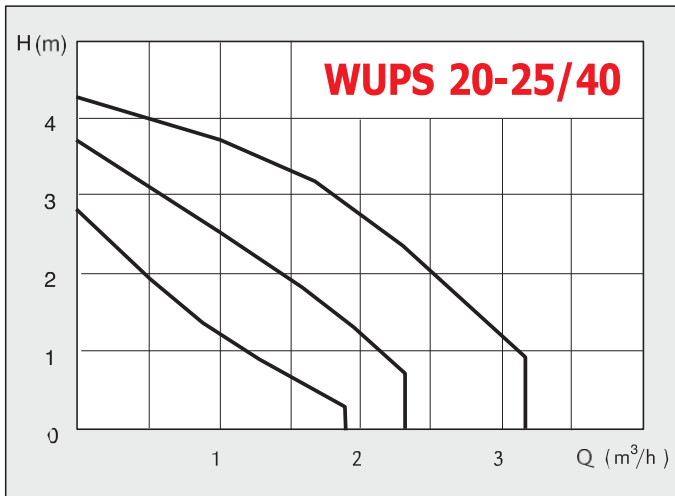
Components

- Pumps body in bronze
- Synthetic Impeller (polymer)
- Shaft in ceramics
- Ball bearing in ceramics
- Trust bearing
- Rotor with Stainless steel housing
- Winding copper wire
- Gasket in EPDM

DIMENSIONS AND WEIGHTS

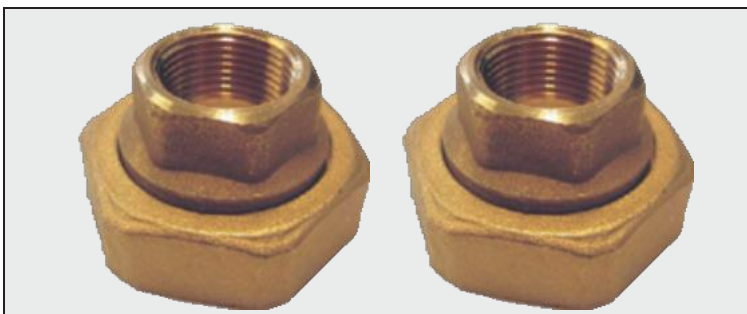
| TYPE | DN | D1 | D2 | L1 | B1 | B2 | H2 | Kg |
|----------------|----|------|-------|-----|----|----|-----|-----|
| WUPS 20/40-110 | 20 | 3/4" | 1"1/4 | 110 | 84 | 43 | 117 | 2,3 |
| WUPS 20/60-110 | 20 | 3/4" | 1"1/4 | 110 | 84 | 43 | 117 | 2,3 |
| WUPS 25/40-110 | 25 | 1" | 1"1/2 | 110 | 84 | 43 | 117 | 2,3 |
| WUPS 25/60-110 | 25 | 1" | 1"1/2 | 110 | 84 | 43 | 117 | 2,3 |
| WUPS 20/40-130 | 20 | 3/4" | 1"1/4 | 130 | 84 | 43 | 117 | 2,4 |
| WUPS 20/60-130 | 20 | 3/4" | 1"1/4 | 130 | 84 | 43 | 117 | 2,4 |
| WUPS 25/40-130 | 25 | 1" | 1"1/2 | 130 | 84 | 43 | 117 | 2,4 |
| WUPS 25/60-130 | 25 | 1" | 1"1/2 | 130 | 84 | 43 | 117 | 2,4 |





| Type | DN | Pos. | (min-1) | P1 (W) | 1x230 V (A) |
|----------------|----|------|---------|--------|-------------|
| WUPS 20/40-110 | 20 | 1 | 1315 | 39 | 0,17 |
| | | 2 | 1723 | 60 | 0,26 |
| | | 3 | 2456 | 69 | 0,30 |
| WUPS 20/60-110 | 20 | 1 | 1080 | 39 | 0,17 |
| | | 2 | 1396 | 62 | 0,27 |
| | | 3 | 1980 | 80 | 0,35 |
| WUPS 25/40-110 | 25 | 1 | 1315 | 39 | 0,17 |
| | | 2 | 1723 | 60 | 0,26 |
| | | 3 | 2456 | 69 | 0,30 |
| WUPS 25/60-110 | 25 | 1 | 1080 | 39 | 0,17 |
| | | 2 | 1396 | 62 | 0,27 |
| | | 3 | 1980 | 80 | 0,35 |
| WUPS 20/40-130 | 20 | 1 | 1315 | 39 | 0,17 |
| | | 2 | 1723 | 60 | 0,26 |
| | | 3 | 2456 | 69 | 0,30 |
| WUPS 20/60-130 | 20 | 1 | 1080 | 39 | 0,17 |
| | | 2 | 1396 | 62 | 0,27 |
| | | 3 | 1980 | 80 | 0,35 |
| WUPS 25/40-130 | 25 | 1 | 1315 | 39 | 0,17 |
| | | 2 | 1723 | 60 | 0,26 |
| | | 3 | 2456 | 69 | 0,30 |
| WUPS 25/60-130 | 25 | 1 | 1080 | 39 | 0,17 |
| | | 2 | 1396 | 62 | 0,27 |
| | | 3 | 1980 | 80 | 0,35 |

ACCESSORIES



Set raccordi circolatore bronzo WUPS 15 1/2"x1"

Set raccordi circolatore bronzo WUPS 20 3/4"x1 1/4"

Set raccordi circolatore bronzo WUPS 25 1"x1 1/2"

